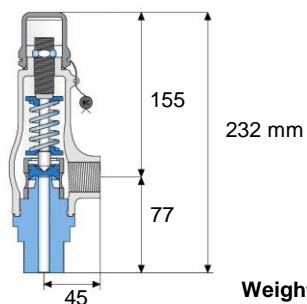


GENERAL	1	ITEM	1
	2	Valve Tag Number	
	3	Number of units	3
	4	Valve Type: Conventional / Balanced	SAFETY AND RELIEF VALVE; Conventional
	5	Design type	Direct spring loaded; Full lift safety valve
	6	Manufacturer	TOSACA, SPAIN
TYPE	7	Model / Type number	1216 HP
	8	Material Base	A351 CF3M
	9	Size	1" x 1" PN-250
	10	End connections	DIN 259 BSP-M / BSP-F
	11	Orifice	9 / 64,0 mm ²
	12	Bonnet: Closed / Open / vented	Closed
ACCESS	13	Lifting lever: Gastight / Plain / Packed	Gastight cap Cap: Screwed
	14	Test gag	No
	15	Bellows	No
	16	Others	No
MATERIAL	17	Body and Bonnet Bolts/ Nuts	A351 CF3M NA/ NA
	18	Nozzle	SS AISI316L Full nozzle
	19	Disc	SS 17-4 PH / Seat: Metal
	20	Guide	SS AISI316L
	21	Spring	Inconel X-750
	22	Bellows	-
BASIS OF SELECTION	23	Design Code	EN 4126
	24	Sizing basis	Blocked discharge
	25	Process fluid / State	NATURAL GAS / G
	26	Required capacity	No information
	27	Density	0,67 kg/m ³ at 20 °C
	28	Operating Viscosity	cP
	29	Molecular weight, M	17,66 g/mol Cp / Cv: 1,29 C: 2,63
	30	Set pressure (tolerance set pressure: ± 3%)	98,0 barg / 1.421,4 psig Temperature operation: 20° C / 68° F
	31	Work pressure	barg / psig
	32	Superimposed back pressure	0 barg / 0,0 psig
	33	Built-up back pressure	1,013 bar / 14,7 psi
	34	Total max. back pressure	1,013 bar a / 14,7 psi
	35	% Allowable overpressure	10 %
	36	Blow down	10%
	37	Kdr Coefficient of discharge	0,550
38	Kb Correction factor back pressure	1	
39	Z Compresibility factor	1	
40	Kr Viscosity correction	1	
41	Ksh Superheat correction factor	1	
CALCUL	42	Calculate area	NO information requerided capacity
	43	Selected area	Diameter: 9 mm / 64,0 mm ²
	44	Flow capacity @ Selected area	2.472,8 kg/h
	45	Calculated sound lever 30 m according API 521	114 dB Noise at 1 meter 143 dB
	46	Reaction force	203 Newton
OTHERS	47	Face to face dimension (H / V)	45 mm / 77 mm Total Height: 232 mm
	48	Packing dimension / Weight	26 cm x 13 cm x 16 cm / Total weight with packing: 3,2 kg
	49	Painting and protective coating / Color	No coating on stainless steel
	50	Marking	Stainless steel label, including TAG Number
	51	Material test certificate	EN 10204 3.1
	52	Inspection	Pressure equipment directive 2014/68/EU

Tosaca reference: 7878 05/12/2016 Revision: 0
 Valve code: 1216 HP-1x1SS-250-M-00000-98,0G20
 Offer reference No. Impexron GMBH /



Weight: 3 kg