

BASE

ROTARY LIMIT SWITCH

The rotary limit switch is used to control the movement of industrial machinery. It operates as an auxiliary controller of electrical motors through a power interface, such as a contactor or PLC. Its shaft can be connected to the motor and, after a set number of revolutions, the cams operate the switches, thus starting the predetermined movement.

FEATURES

A worm gear and a helical toothed gear combined with one or more pairs of straight toothed gears are used for the transmission of the movement from the input shaft to the output shaft. Revolution ratios ranging from 1:15 to 1:1500 result from the use of different combinations of gear wheels between the input shaft and the output shaft, which is connected to the cams operating the switches. Each cam can be set with great accuracy thanks to the cam adjusting screws. Overall dimensions are suitable for assembly in narrow spaces. The auxiliary switches are of the positive opening type.

OPTIONS

Base can be equipped with cam sets with a maximum of 6 switches.

The limit switch is available with direct control switches to operate directly on the motor.

The limit switch can be fitted with a flange for direct coupling to the motor.

Different labels and colors are also available.

MATERIALS

Transmission and gear driving shafts are made of stainless steel to prevent oxidation and wear. The gear wheels and the driving bushes are made of self-lubricating technopolymer material, suitably chosen to reduce the wear to a minimum and to maintain the accuracy of the couplings over time. Sintered bronze bushes are moulded into the base of the limit switch to optimize the shaft rotation and to prevent rubbing with plastic material. Materials and components are wear resistant and protect the equipment against water and dust.



INDUSTRIAL
LIFTING



CONSTRUCTION
LIFTING



INDUSTRIAL
AUTOMATION



STAGE
TECHNOLOGY

STANDARDS - MARKINGS - HOMOLOGATIONS

Conformity to Community Directives:

2006/95/CE: Low Voltage Directive

2006/42/CE: Machinery Directive

- Conformity to Standards:

EN 60204-1 Safety of machinery - Electrical equipment of machines

EN 60204-32 Safety of machinery - Electrical equipment of machines

- Requirements for hoisting machines

EN 60947-1 Low-voltage switchgear and controlgear

EN 60947-5-1 Low-voltage switchgear and controlgear - Control circuit devices and switching elements - Electromechanical control circuit devices

EN 60529 Degrees of protection provided by enclosures

- Regulations for the prevention of accidents BGV C 1 (only for Germany)

- CAN/CSA-C22.2 No 14-13 - Industrial Control Equipment

- UL 508 - Industrial Control Equipment

GENERAL TECHNICAL SPECIFICATIONS

- Storage ambient temperature: -40°C/+80°C

- Operational ambient temperature: -40°C/+80°C

- Protection degree:

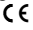

IP 42 or IP 65 or IP 66 / IP 67 / IP 69K depending on the assembly


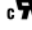
- Insulation category: Class II

- Maximum rotation speed: 800 rev./min.

- Cable entry: cable clamp M16

- Markings and homologations:

version IP42 or IP65  

version IP 66 / IP 67 / IP 69K    us (up to 4 switches)

TECHNICAL SPECIFICATIONS OF THE MICROSWITCHES

- Utilisation category: AC 15 / 3 A / 250 Vac

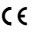

- Rated thermal current: 10 A

- Rated insulation voltage: 300 Vac

- Mechanical life: 1x10⁶ operations

- Connections: 6.3 mm Faston taps or screw-type terminals

- Wires: 1x2.5 mm², 2x1.5 mm²

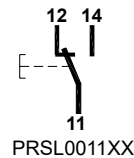
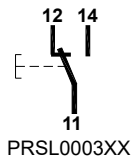
- Markings and homologations:  

The snap action switch PRSL0003XX has 1 NO + 1 NC change over contacts.

The snap action switch PRSL0011XX has 1 NO + 1 NC change over contacts.

All NC contacts are of the positive opening operation type .

The switches have the following reference for internal wiring.

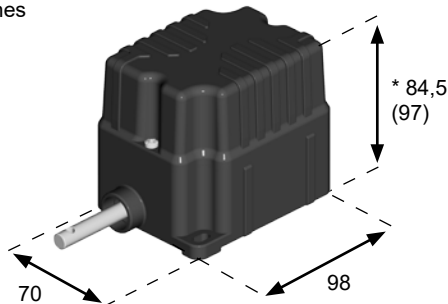


OVERALL DIMENSIONS (MM)

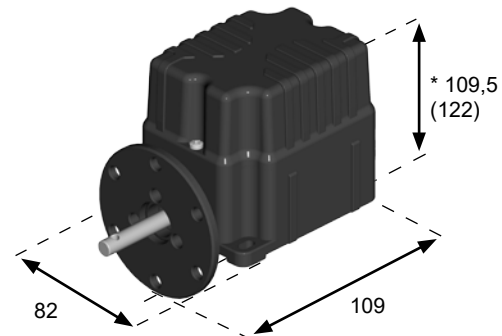
Limit switches with sets of 5 or 6 cams/switches have a special cover: overall dimensions and code numbers are available on request.

IP 42 or IP 65

* 2 switches
() 3-4 switches

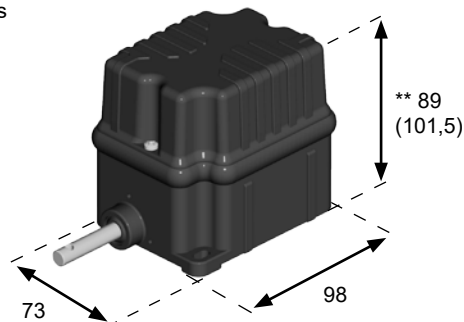


IP 42 or IP65 with flange

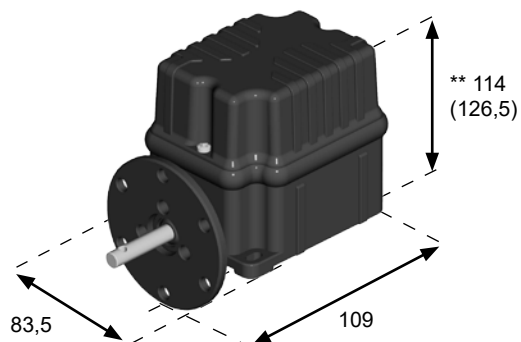


IP 66 / IP 67 / IP 69K

** 2-3 switches
() 4 switches



IP 66 / IP 67 / IP 69K with flange



The data and the products illustrated in this brochure may be modified without notice. Under no circumstances can their description have a contractual value.



TER Tecno Elettrica Ravasi srl

Via Garibaldi 29/31 - 23885 Calco (LC) - Italy

Registered Office - via San Vigilio 2 - 23887 Olgiate Molgora (LC) - Italy

Tel. +39 0399911011 - Fax +39 0399910445 - E-mail: info@terworld.com

www.terworld.com