



## DATA SHEET

Customer:	
Ref.:	
Order:	
Motor:	
Serial nr.:	
Date:	4/12/2023

## ASYNCHRONOUS MOTOR 4A 100L2-4

### Nameplate data:

Code: 112213

Type:	4A 100L2-4			IP55	F/B	Amb. temp.: Max. 40°		
kW	Hz	V	A	Rpm	Cos	Eff.	Duty	IE.class
3.00	50	380-415 D	6.40	1410	0.82	82.6%	S1	IE1-(Eff2)
3.00	50	690 Y	3.71	1410	0.82	82.6%		
3.60	60	440-480 D	6.68	1692	0.82	82.6%		

### Description:

Mounting form:	B5
Bearing DE:	6206-2Z/C3
Bearing NDE:	6206-2Z/C3
Weight - Kg.:	25.8
Heater:	No Heater
PTC:	No PTC
Kgm <sup>2</sup> :	0.0067
Sound press.-db(A):	53.0

### Other:


### Test data S1-duty, Amb.temp 40°C:

Voltage - V:	400
Frequency - Hz:	50
Power - kW:	3.00
Full load speed - Rpm:	1410
Full load current - A:	6.40
Full load power factor - Cos:	0.82
Locked rotor current - A:	44.8
Locked rotor factor - $A_{st}/A_n$ :	7.0

Efficiency 100% load - %:	82.6%
Efficiency 75% load - %:	
Efficiency 50% load - %:	
Full load torque - Nm:	20.3
Locked rotor torque - Nm:	46.8
Locked rotor torque - $Nm_{st}/Nm_n$ :	2.3
Max. Pull out torque - Nm:	46.8
Max. Pull out torque. - $Nm_{st}/Nm_n$ :	2.3

Over load/speed test	kW	Hz	V	A	Rpm
Over load 160% - 15sec.	4.80	50	400	10.24	1410
Over speed 125% - 2 min.	3	63	400	6.40	1763
H-Pot test voltage: 1800V	Temp. rise in stator:				

The motor is produced in accordance with following harmonized standards:  
IEC60034-1, IEC60034-2, IEC60034-5, IEC60034-6, IEC60034-7, IEC60034-8, IEC60034-9  
IEC60034-12, IEC60034-14, IEC60034-30, IEC60072.

Additional specifications in accordance with:  
RINA - GL - LRS - BV - DNV - ABS - KR - RR - CCS - CCC - RMRS.

### Bevi Group:

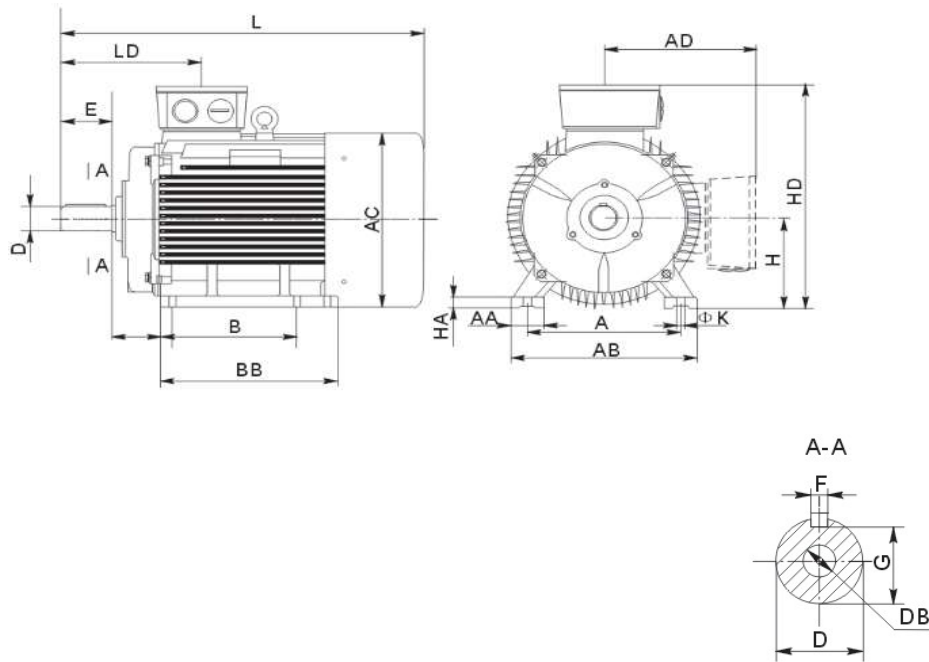
BEVI AB, Sweden	www.bevi.se	sales@bevi.se	+46 499 271 00
BEVI A/S, Denmark	www.bevi.dk	bevi@bevi.dk	+45 39 67 36 05
BEVI Norge A/S, Norway	www.bevi.no	info@bevi.no	+47 22 07 66 50
BEVI Finland OY AB, Finland	www.bevi.fi	info@bevi.fi	+358 9 2709 1210
BEVI CHINA, China	www.bevi.cn	sales@bevi.cn	+86 21 5032 5200



**DATA SHEET**

Customer:	
Ref.:	
Order:	
Motor:	
Serial nr:	
Date:	4/12/2023

**Foot mounted motor  
4A 100L2-4 B3**



A: 160	HD: 260	E: 60
B: 140	C: 63	D: 28
AB: 205	H: 100	G: 24
AC: 215	K: 12	DB: M10
AD: 160	L: 380	F: 8
LD: 143	L (V1): 430	

**Bevi Group:**

BEVI AB, Sweden  
 BEVI A/S, Denmark  
 BEVI Norge A/S, Norway  
 BEVI Finland OY AB, Finland  
 BEVI CHINA, China

www.bevi.se  
 www.bevi.dk  
 www.bevi.no  
 www.bevi.fi  
 www.bevi.cn

sales@bevi.se  
 bevi@bevi.dk  
 info@bevi.no  
 info@bevi.fi  
 sales@bevi.cn

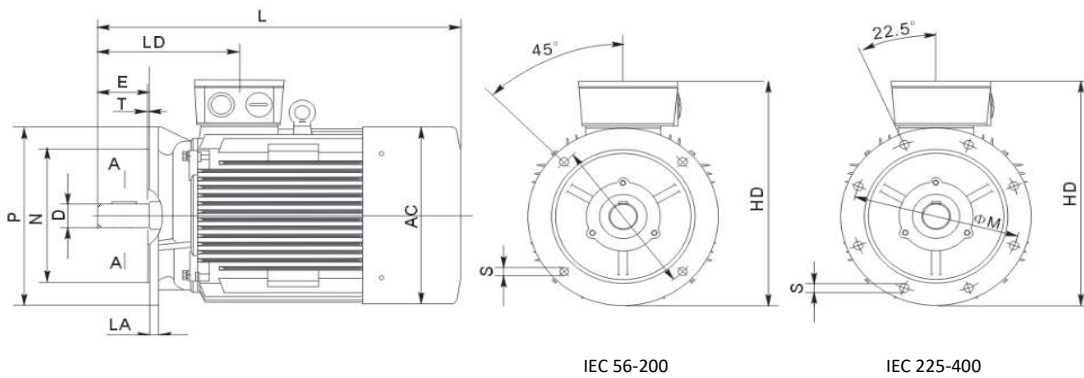
+46 499 271 00  
 +45 39 67 36 05  
 +47 22 07 66 50  
 +358 9 2709 1210  
 +86 21 5032 5200



## DATA SHEET

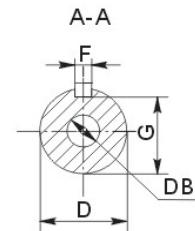
Customer:	
Ref.:	
Order:	
Motor:	
Serial nr:	
Date:	4/12/2023

### Flange mounted motor 4A 100L2-4 B5



IEC 56-200

IEC 225-400



M: 215	HD: 260	E: 60
N: 180	L: 380	D: 28
P: 250	L (V1): 430	G: 24
S: 15	LD: 143	DB: M10
		F: 8

#### Bevi Group:

BEVI AB, Sweden  
 BEVI A/S, Denmark  
 BEVI Norge A/S, Norway  
 BEVI Finland OY AB, Finland  
 BEVI CHINA, China

www.bevi.se  
 www.bevi.dk  
 www.bevi.no  
 www.bevi.fi  
 www.bevi.cn

sales@bevi.se  
 bevi@bevi.dk  
 info@bevi.no  
 info@bevi.fi  
 sales@bevi.cn

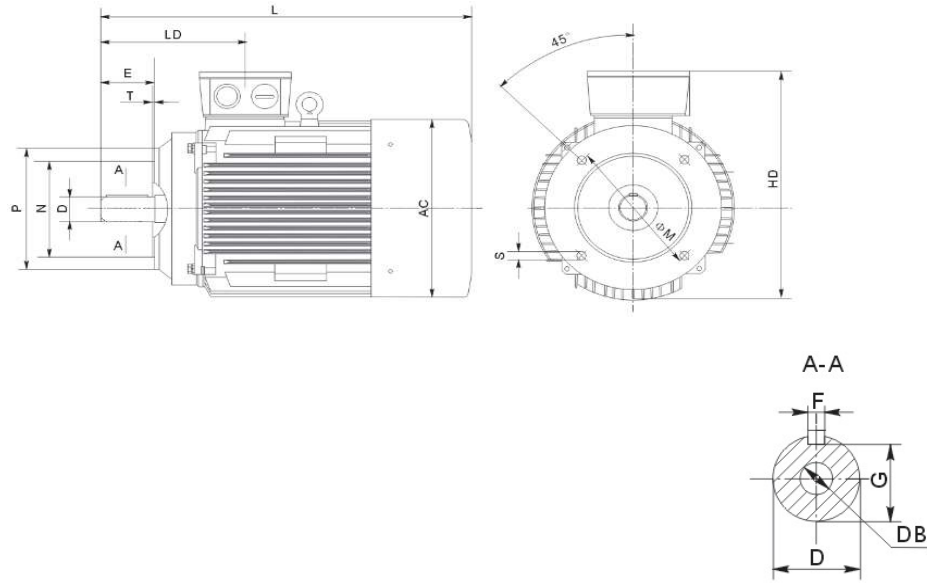
+46 499 271 00  
 +45 39 67 36 05  
 +47 22 07 66 50  
 +358 9 2709 1210  
 +86 21 5032 5200



**DATA SHEET**

Customer:	
Ref.:	
Order:	
Motor:	
Serial nr:	
Date:	4/12/2023

**Flange mounted motor  
4A 100L2-4 B14A + (B14B)**



Flange type:	B14A	B14B		
M:	130	165	HD:	260
N:	110	130	L:	380
P:	160	200	L (V1):	430
S:	M8	M10	LD:	143
			E:	60
			D:	28
			G:	24
			DB:	M10
			F:	8

---

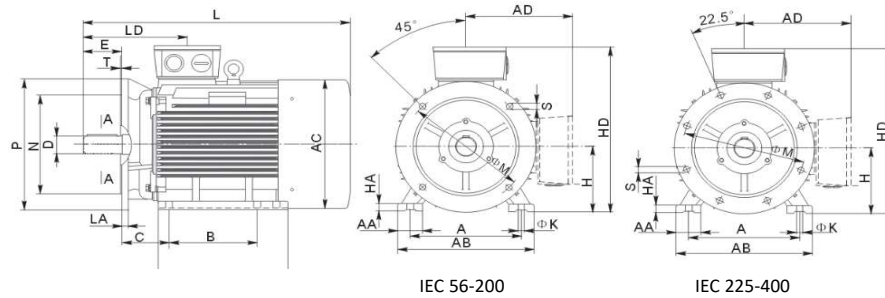
<b>Bevi Group:</b>			
BEVI AB, Sweden	<a href="http://www.bevi.se">www.bevi.se</a>	<a href="mailto:sales@bevi.se">sales@bevi.se</a>	+46 499 271 00
BEVI A/S, Denmark	<a href="http://www.bevi.dk">www.bevi.dk</a>	<a href="mailto:bevi@bevi.dk">bevi@bevi.dk</a>	+45 39 67 36 05
BEVI Norge A/S, Norway	<a href="http://www.bevi.no">www.bevi.no</a>	<a href="mailto:info@bevi.no">info@bevi.no</a>	+47 22 07 66 50
BEVI Finland OY AB, Finland	<a href="http://www.bevi.fi">www.bevi.fi</a>	<a href="mailto:info@bevi.fi">info@bevi.fi</a>	+358 9 2709 1210
BEVI CHINA, China	<a href="http://www.bevi.cn">www.bevi.cn</a>	<a href="mailto:sales@bevi.cn">sales@bevi.cn</a>	+86 21 5032 5200



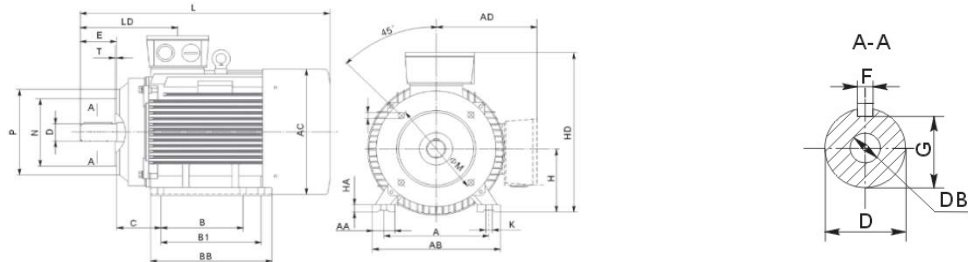
## DATA SHEET

Customer:	
Ref.:	
Order:	
Motor:	
Serial nr:	
Date:	4/12/2023

### Foot & flange mounted motor 4A 100L2-4 B3/B5



### 4A 100L2-4 B14A + (B14B)



#### Flange type: B5

M: 215  
N: 180  
P: 250  
S: 15

#### B14A

M: 130  
N: 110  
P: 160  
S: M8

#### (B14B)

M: 165  
N: 130  
P: 200  
S: M10

A: 160  
B: 140  
AB: 205  
AC: 215  
AD: 160  
LD: 143

HD: 260  
C: 63  
H: 100  
K: 12  
L: 380  
L (V1): 430

E: 60  
D: 28  
G: 24  
DB: M10  
F: 8

#### Bevi Group:

BEVI AB, Sweden  
BEVI A/S, Denmark  
BEVI Norge A/S, Norway  
BEVI Finland OY AB, Finland  
BEVI CHINA, China

[www.bevi.se](http://www.bevi.se)  
[www.bevi.dk](http://www.bevi.dk)  
[www.bevi.no](http://www.bevi.no)  
[www.bevi.fi](http://www.bevi.fi)  
[www.bevi.cn](http://www.bevi.cn)

[sales@bevi.se](mailto:sales@bevi.se)  
[bevi@bevi.dk](mailto:bevi@bevi.dk)  
[info@bevi.no](mailto:info@bevi.no)  
[info@bevi.fi](mailto:info@bevi.fi)  
[sales@bevi.cn](mailto:sales@bevi.cn)

+46 499 271 00  
+45 39 67 36 05  
+47 22 07 66 50  
+358 9 2709 1210  
+86 21 5032 5200