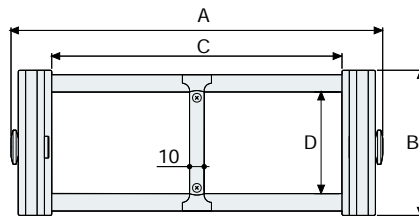


Serie Heavy

309B Nylon Cable Chain with un-screwable aluminium rods

Inner height (D) 70 mm

Strong double share Sideband & Frame construction with large anti-friction triple-pin. Alu-rod frames are un-screwable from inner and outer radius. As standard the chain comes with frames every second link, on request with frames every link. Vertical and horizontal separator systems are available.



Separator

| | |
|---------------|-----------------|
| - Unassembled | Part.no S309C |
| - Assembled | Part.no S309CMC |

Pin

Part.no PG309H

Technical characteristics when self-supported

| | |
|--------------|---------------------|
| Speed | 8 m/s |
| Acceleration | 40 m/s ² |

For higher requirements please consult our technical dept.

| A | B | C | D | R | Weight/m | Chain |
|------|-----|-------|----|---------------------------------|----------|--------------|
| mm | mm | mm | mm | mm | kg | Part Number |
| 153 | 100 | 100 | 70 | 150-200-250-300-350-400-500-600 | 4,20 | 309B100 □* |
| 203 | 100 | 150 | 70 | 150-200-250-300-350-400-500-600 | 4,40 | 309B150 □* |
| 253 | 100 | 200 | 70 | 150-200-250-300-350-400-500-600 | 4,55 | 309B200 □* |
| 303 | 100 | 250 | 70 | 150-200-250-300-350-400-500-600 | 4,70 | 309B250 □* |
| 353 | 100 | 300 | 70 | 150-200-250-300-350-400-500-600 | 4,85 | 309B300 □* |
| 453 | 100 | 400 | 70 | 150-200-250-300-350-400-500-600 | 5,20 | 309B400 □* |
| C+53 | 100 | | 70 | 150-200-250-300-350-400-500-600 | | 309B □□□ □** |

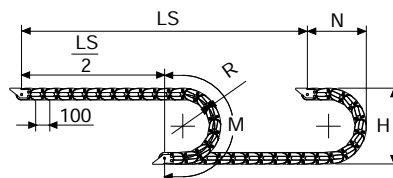
*Complete the code by inserting the value of the radius (R): Ex. 309B150 □

Where: 1=150 2=200; 3=250; 4=300; 5=350; 6=400; 7=500; 8=600

**Complete the code by inserting the value of the quote C and the radius (R): Ex. 309B □ □ □ □ □

Chain equipped with aluminium rods every pitch: complete the code by inserting the letter D.

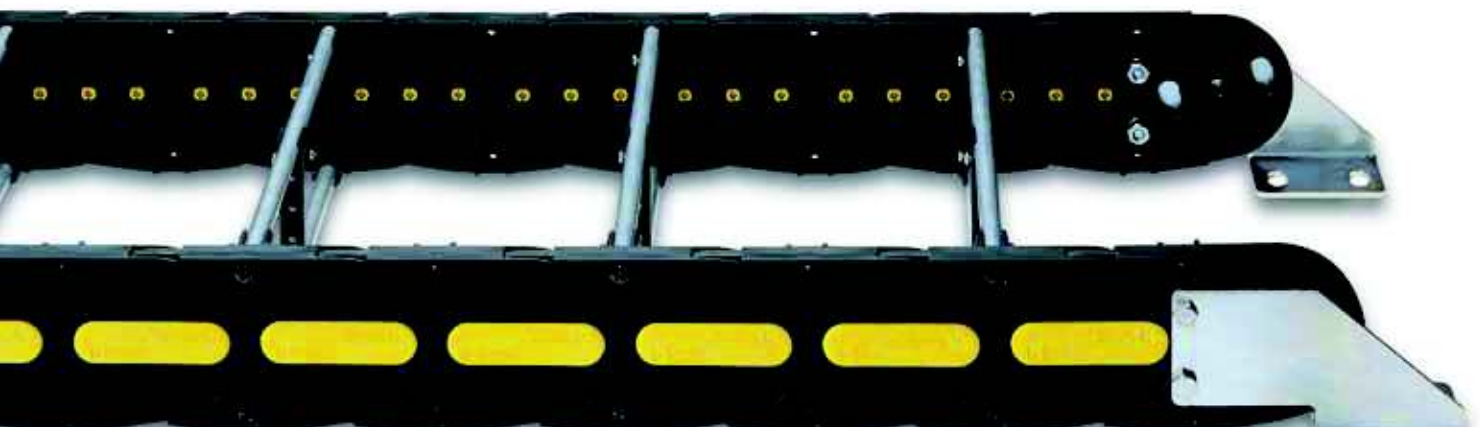
Ex. 309B1502 □



Length of chain (L)
Half travel distance ($\frac{LS}{2}$)
plus length of curve (M)

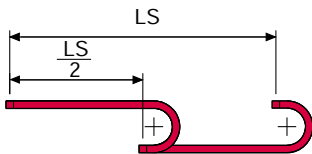
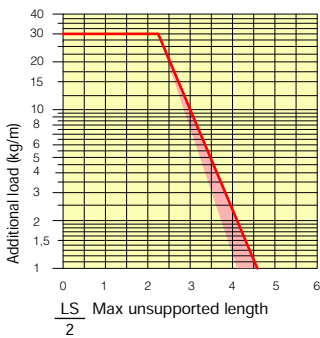
$$L = \frac{LS}{2} + M$$

| R | H | N | M |
|-----|------|-----|------|
| mm | mm | mm | mm |
| 150 | 406 | 300 | 675 |
| 200 | 506 | 350 | 830 |
| 250 | 606 | 400 | 985 |
| 300 | 706 | 455 | 1145 |
| 350 | 806 | 500 | 1300 |
| 400 | 906 | 555 | 1460 |
| 500 | 1106 | 650 | 1770 |
| 600 | 1306 | 750 | 2085 |



Self-Supporting Capacity Diagram

The maximum length of the self-supporting capacity ($\frac{LS}{2}$) in relationship to the weight of the cables and hoses contained per linear metre.



The red marking in the diagram area considers the difference of weight between various widths of chains assembled with rods every second pitch.

For applications with $\frac{LS}{2}$ and weights not included in the area of the diagram showing self-supporting capacity, verify the possible use of support rollers (see page 30).

End Brackets

The end brackets set allows the two ends of the chain to be attached to the equipment. Set complete with tiewrap clamps available on request.

Nylon Type

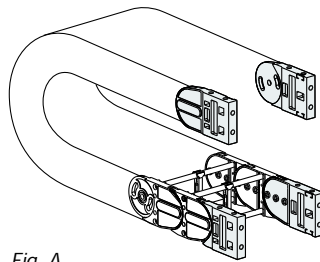


Fig. A
The chain can be fixed frontally, inner or outer radius. (Fig A)

Bright Zinc Plated Steel Type***

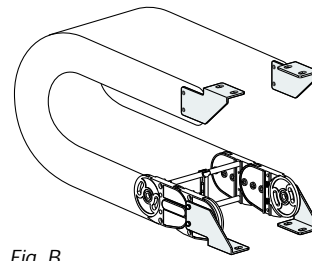
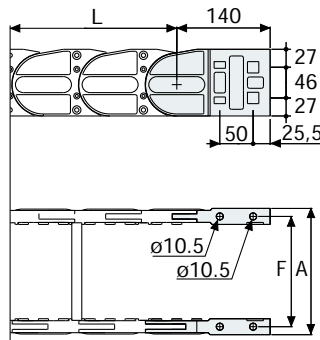


Fig. B
Chain fixed outside the radius. (Fig B)
See end brackets mounting variations page 31.

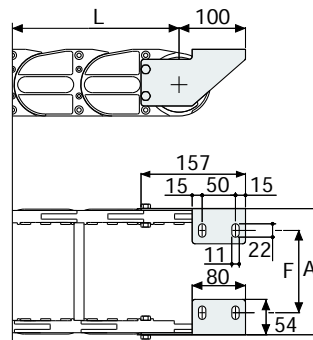


| Chain Type | F mm |
|-----------------------|------|
| 309B100 | 129 |
| 309B150 | 179 |
| 309B200 | 229 |
| 309B250 | 279 |
| 309B300 | 329 |
| 309B400 | 429 |
| Special widths F=A-24 | |

Nylon Type Part Numbers

| Complete Set Assembled | |
|------------------------|------------------|
| Chain Type | End Brackets Set |
| 309B... | AN309KM |

| Complete Set Unassembled | |
|--------------------------|------------------|
| Chain Type | End Brackets Set |
| 309B... | AN309K |



| Chain Type | F mm |
|-----------------------|------|
| 309B100 | 87 |
| 309B150 | 137 |
| 309B200 | 187 |
| 309B250 | 237 |
| 309B300 | 287 |
| 309B400 | 387 |
| Special widths F=A-66 | |

Bright Zinc Plated Steel Type Part Numbers

| Complete Set Assembled | |
|------------------------|------------------|
| Chain Type | End Brackets Set |
| 309B... | A309KM □** |

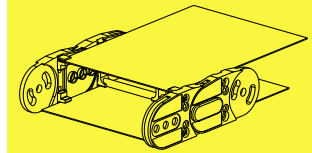
| Complete Set Unassembled | |
|--------------------------|------------------|
| Chain Type | End Brackets Set |
| 309B... | A309K □** |

Tiewrap Clamp
 Assembl. SFCT309B □□□ *KM
 Unassembl. SFCT309B □□□ *K
 * Inner width (C)
 ** 1=Pos.1; 2=Pos.2; 3=Pos.3
 *** Available on request in stainless steel

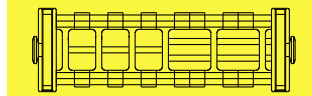
Serie Heavy

309B

Nylon Cable Chain with un-screwable aluminium rods



Steel laminar cover.



Supplementary movable separators.

Version with aluminium draw plates



On request available with aluminium draw plates

Example Part Number:
309T □□□ *□□□ **

* Inner width (C)
 ** Bending radius (R)

For further information please consult Brevetti Stendalto's Technical Office

