

FEATURES

Input voltage

400-500V 3AC (340-576V 3AC resp.480-810VDC)

Input frequency

50-60Hz

Efficiency

90% typ. at Pnom.

Switching operating frequency

70KHz typ.

Power factor

0,66 typ.

Input protections

- Inrush current typ. <30A @ Vin max, cold-start.
- EMI filter
- Line fuses

See table for

- Output voltage and current
- Output ripple and noise
- Line and load regulation

Output protections

- Overvoltage protection
- Over load protection

Output power

240W

Control and adjustment

- Vadjust trimmer (21.6...28.0V)

Operating indicators

- Green led Vout OK

Operating temperature

-10°C to 70°C

Temperature power derating

60÷70°C see diag.

Storage temperature

-40°C to 85°C

Temperature drift

0.05%/°C typ.

Long term stability

Better than 1% after 8 hours

Humidity

10÷90% non condensing

Cooling

Natural convection

Dielectric withstand voltage

- Comply with EN 62368-1

Isolation

- Output - P.E.: 500Vdc

Comply with

- EN 61000-6-4
- EN 61000-6-2
- EN 61000-3-2 cl. A
- EN 60950-1
- CE

Weight

1000g

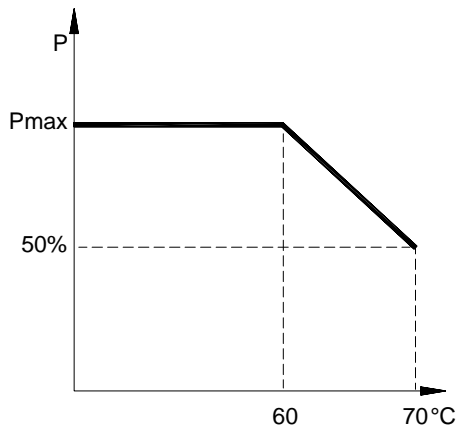
Optional features

- AL - Alarm relay contact
- DD - Output decoupl. diode for parallel connection

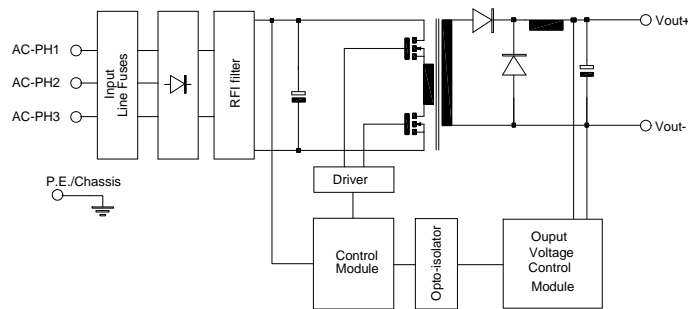
FEATURES TABLE

Vout Nom Volts	Iout Nom (Vout Nom) A	Iout Min A	Voltage Accuracy %	Line Reg. %	Load Reg. %	Ripple & Noise (0÷20MHz) mV
24	10	0	0-1%	0.5%	1%	<100

TEMP. DERATING



BLOCK DIAGRAM



POWER SUPPLY VIEW



DIMENSIONS AND CONNECTIONS

