

SSR 02-102-048-20-H-AC2-DP2-0.5-J12**Measuring Light Curtains**

Measuring Light Curtains

Compatible Transmitter:

SST 02-102-048-20-H-1D1-0.5-J5



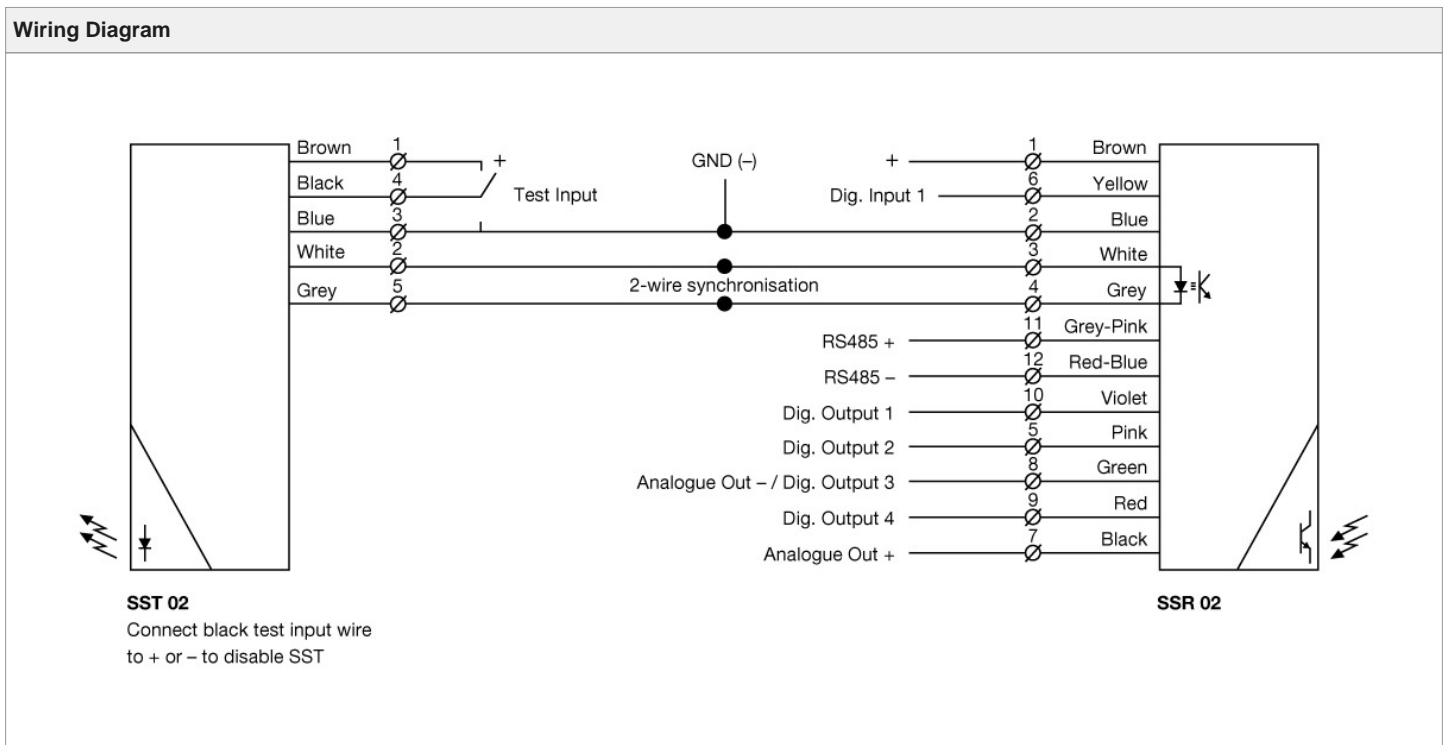
Product Data	
Channel Spacing	20 mm
Function	Receiver
Operation Mode	Thru Beam
Supply Voltage	18 - 30 V dc
Connection	0.5 m cable with 12 pin, M12 plug
Sensing Range	10 m
Output	2 x PNP + Analog. (RS-485)
Output Status	N.C. / N.O.
Length	1020 mm
Active Height	945 mm
Housing	33 x 36 mm
Features	RS-485 communication port

Technical Data	
Supply Voltage	18 - 30 V dc
Reverse Polarity Protected	Yes
Short Circuit Protected	Yes
Current Consumption	75 mA
Output Type	2 x Digital Output (Transistor) PNP Analogue Out. 4-20 mA / 0-10 V (2-wires)
Output Rating	Digital Output: 100 mA Analogue Output: Current <600 Ohm - Voltage >1kOhm
Number of Channels	48
Number of Cross Scanning Beams	142
Number of Parallel Beams	48
Distance, Beams Pinch Point	10 mm
Response Time	Beams: Parallel 7,8 ms / Cross 19,0 ms
Power On Indicator	Green LED
Output Indicator	Yellow LED
System Status Indicator	Red LED

Profile Dimensions (w x d)	33 x 36 mm
Housing Material, Front Lens	Polycarbonate
Housing Material, Profile	Aluminium (black anodised)
Cable	12 x 0,2 mm ²
Cable Sleeve	PVC Ø 5,9 mm

Environmental Data	
Vibration	10 - 55 Hz, 0,5 mm
Shock	30 g
Operation Temperature	-30 to +60 °C
Storage Temperature	-40 to +80 °C
Sealing Class	IP 67
Light Immunity 5°	> 100 000 lux

Approvals

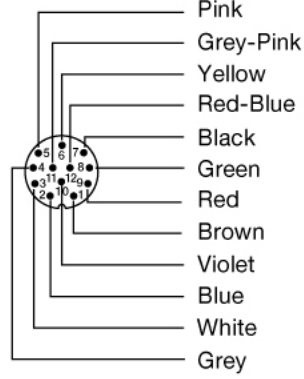



Connections

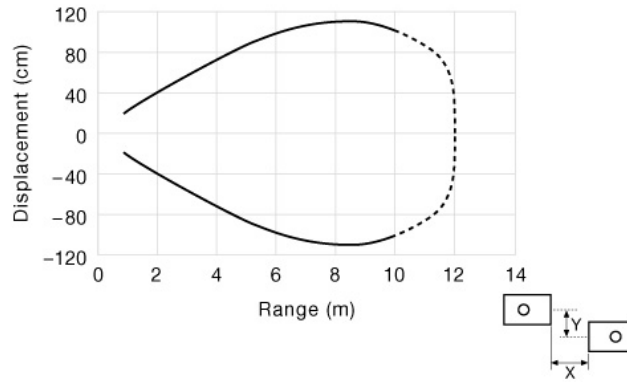
12 pin, M12

Sensor Plug
(Male)

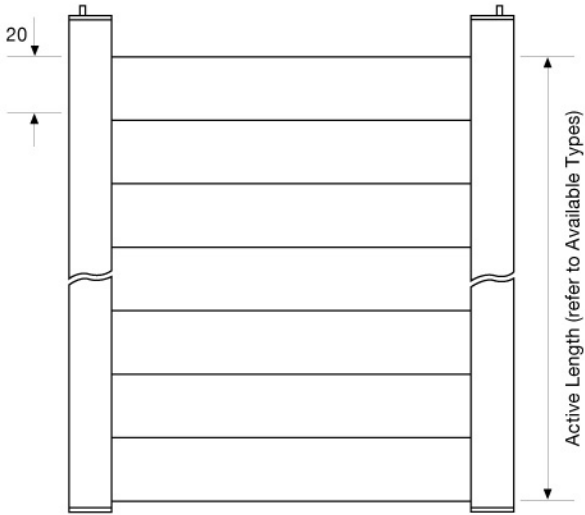
Cable Plug
(Female)



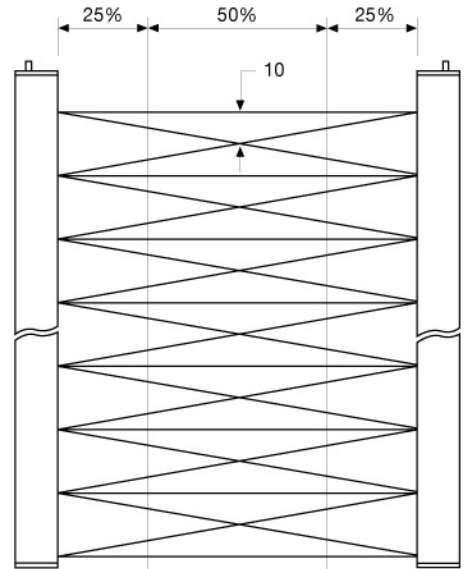
Parallel Displacement



Beam Patterns



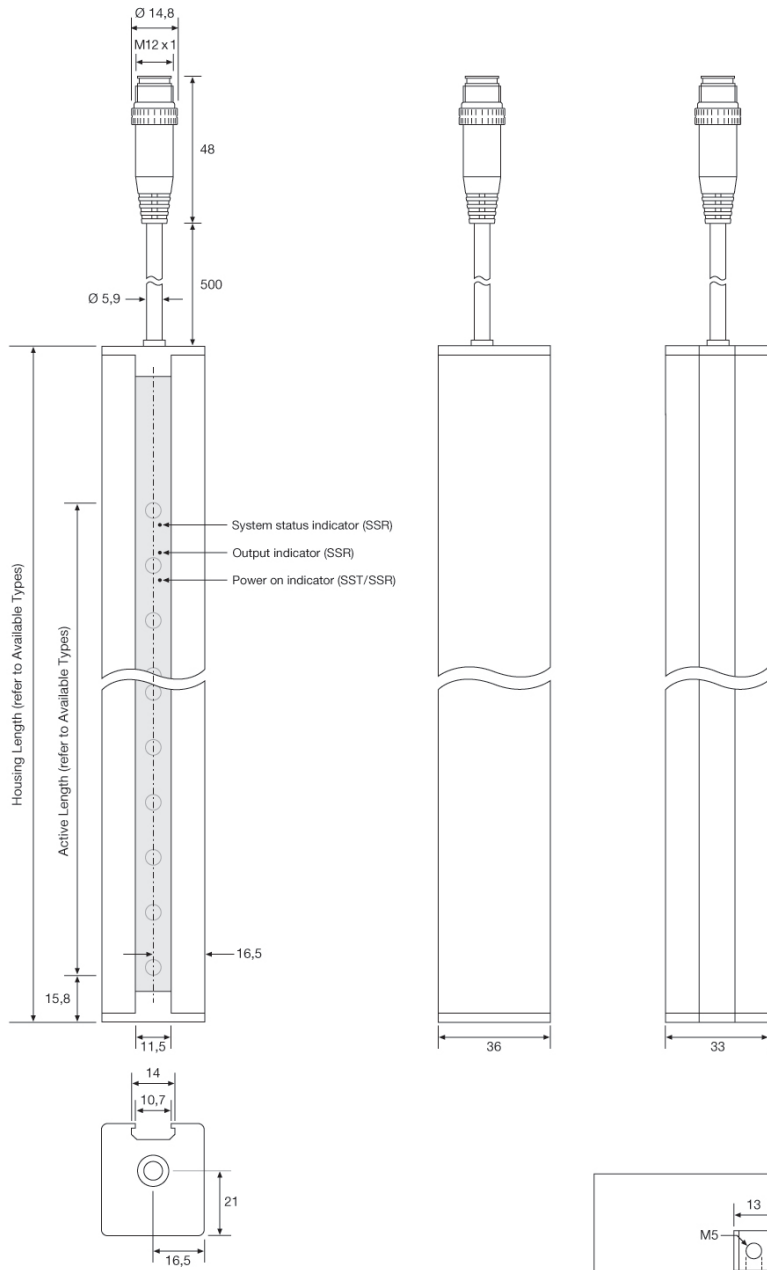
Parallel Beams



Cross Beams

20 mm channel spacing

Dimensions



System status indicator (SSR)
 Output indicator (SSR)
 Power on indicator (SST/SSR)

