

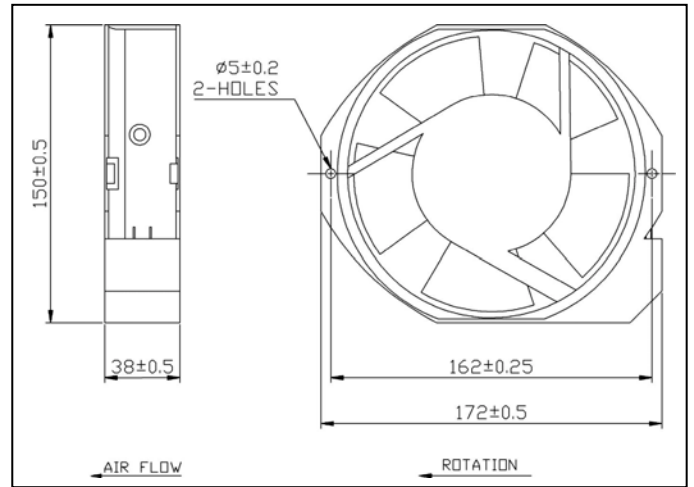


**FEATURES**

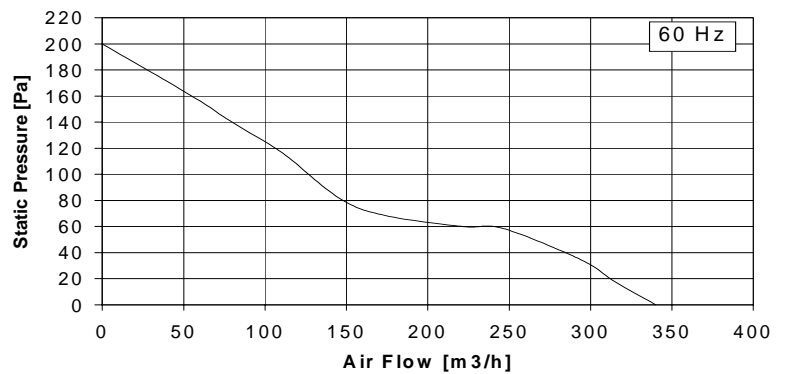
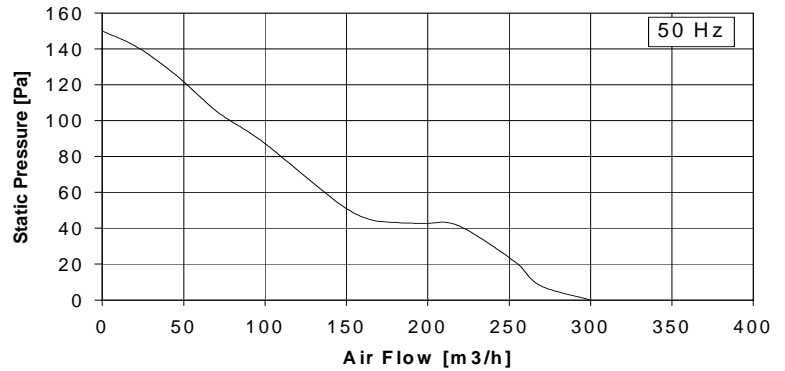
- Aluminium fan casing and glass fibre reinforced plastic (PBT) impeller.
- Capacitor run induction motor. Thermally protected against running overload.
- Electrical connection via 2 flat terminals 2,7 x 0,5mm.  
No 4 M4 thread on the casing for earth connection.
- Rated temperature range:  
Ball bearing from -40°C to +70°C
- Service life L10:  
Ball bearing 40,000 hours at 40°C  
20,000 hours at t max
- Weight 565g.

Please refer to our terms of sales including our warranty and limited liabilities clauses.

**DRAWING**



**AIR FLOW CURVES**



| Model        | Rated Voltage [V] | Frequency [Hz] | Input Power [W] | Speed [rpm] | Air Flow [m3/h] | Static Pressure [Pa] | Noise [dB(A)] | Approvals |     |     |
|--------------|-------------------|----------------|-----------------|-------------|-----------------|----------------------|---------------|-----------|-----|-----|
|              |                   |                |                 |             |                 |                      |               | UL        | CUL | VDE |
| C17B12HTBF00 | 115               | 50/60          | 27/28           | 2800/3300   | 300/340         | 150/200              | 52.0/57.0     | ★         | ★   |     |
| C17B23HTBF00 | 230               | 50/60          | 27/28           | 2800/3300   | 300/340         | 150/200              | 52.0/57.0     | ★         | ★   |     |