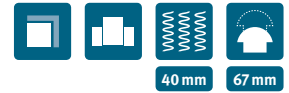


SPANN-BOX® SIZE 1

with semi-circular profile



Applications

- For restricted installation spaces

Tensioning pressure

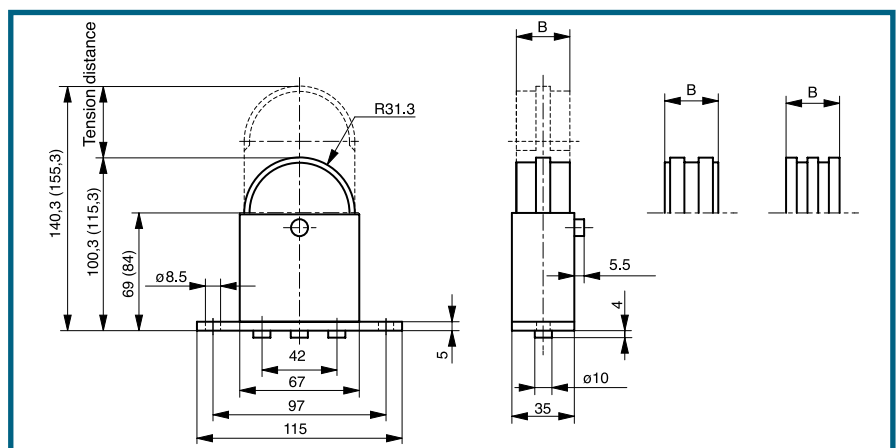
- Choice of light or heavy spring force

Attachment

- Easier assembly thanks to mounting bracket
- Bore holes in the housing (for matching fastening brackets refer to pages 118-119)

DIN 8187 chain no.	B mm	Short housing, light tension force article no.	Short housing, heavy tension force article no.	Long housing, heavy tension force article no.	Stainless steel, heavy tension force, short housing article no.	Stainless steel, heavy tension force, long housing article no.
06B-1	30	281 010 031	281 010 032	281 010 232	282 010 032	282 010 232
08B-1	30	281 010 033	281 010 034	281 010 234	282 010 034	282 010 234
10B-1	30	281 010 035	281 010 036	281 010 236	282 010 036	282 010 236
12B-1	30	281 010 037	281 010 038	281 010 238	282 010 038	282 010 238
06B-2	30	281 010 039	281 010 040	281 010 240	282 010 040	282 010 240
08B-2	30	281 010 041	281 010 042	281 010 242	282 010 042	282 010 242
10B-2	30	281 010 043	281 010 044	281 010 244	282 010 044	282 010 244
12B-2	30	281 010 045	281 010 046	281 010 246	282 010 046	282 010 246
06B-3	30	281 010 047	281 010 048	281 010 248	282 010 048	282 010 248
08B-3	30	281 010 049	281 010 050	281 010 250	282 010 050	282 010 250

Special designs on request



Clamp dimensions (...) for long housing