

Instrument manifold valve

Model : A080

Spec. sheet no. AD00-09

Service intended

It is used for switching flow between one common connection and the other two connections.
The instrument manifold valve is applied to a differential pressure gauge and a differential pressure transmitter.

CRN

Standard features

Max. static pressure up to 41 MPa
Max. working temperature : 240 °C
Packing : PTFE (-54 ~ 232 °C)
Graphite : -54 ~ 648 °C



※ This product's Max. working temperature could be varied depending on its working pressure and temperature.

Main order

Ordering information

1. Base model

A080 Instrument manifold valve

2. Manifold type

T 3 way
F 5 way

3. Mounting type

1 3 or 5 way remote mounting pipe to pipe
2 3 or 5 way remote mounting pipe to pipe w/vent port
3 3 or 5 way direct mounting pipe to flange
4 3 or 5 way direct mounting pipe to flange w/vent port
5 3 way direct mounting pipe to flange, tee section
6 3 or 5 way direct mounting flange to flange
7 3 or 5 way direct mounting flange to flange
(Only available with Transmitter)
Z Other

4. Material

B 316SS
C 316L SS (Not available with Transmitter)
D Monel (Not available with Transmitter)
E Inconel (Not available with Transmitter)
Z Other

5. Packing material

2 PTFE
4 Graphite

6. Connection

1 ¼" NPT (Not available with Transmitter)
2 ½" NPT
Z Other

7. Handle

1 T bar
9 Other

8. Unused character

A0000 None

1	2	3	4	5	6	7	8
A080	T	1	B	2	1	1	A0000

Sample
ordering code

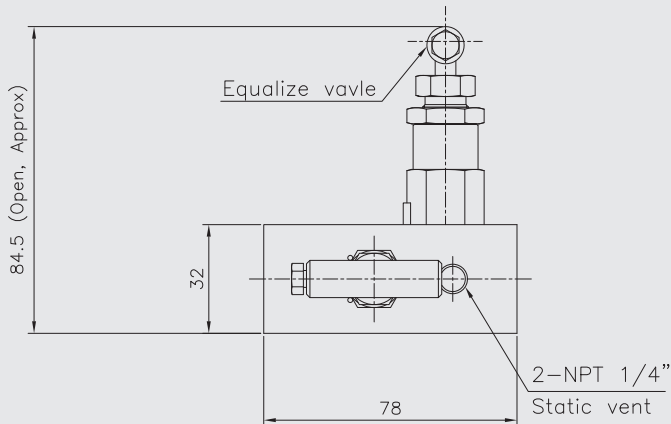
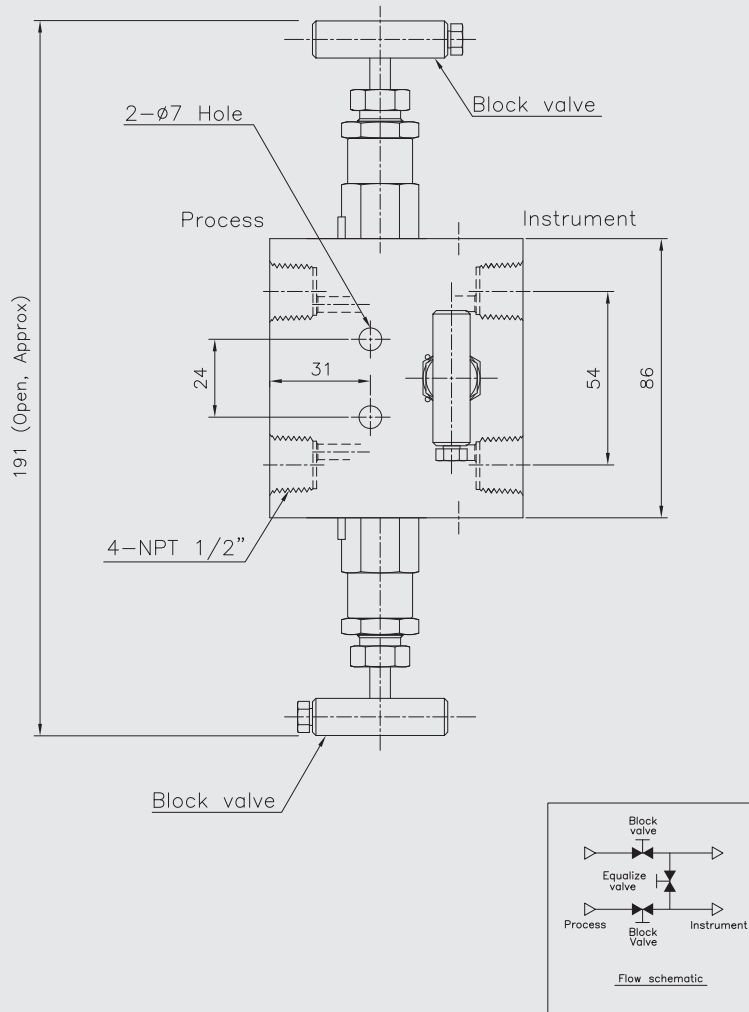
© WISE Control Inc. All rights reserved. ALL PRODUCT, PRODUCT SPECIFICATIONS AND DATA ARE SUBJECT TO CHANGE WITHOUT NOTICE TO IMPROVE RELIABILITY, FUNCTION OR DESIGN OR OTHERWISE.

WISE[®]

I A080TF_01

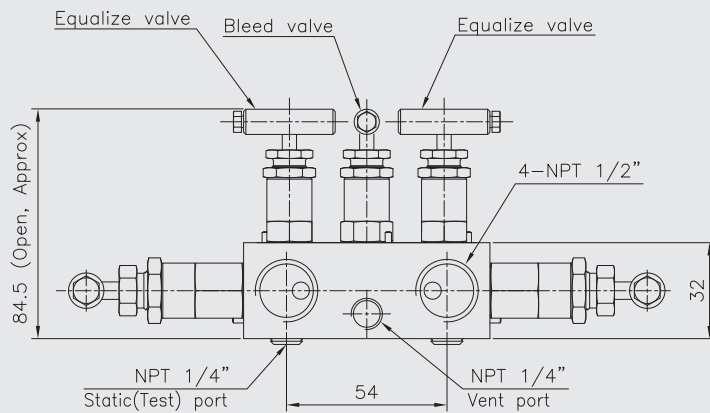
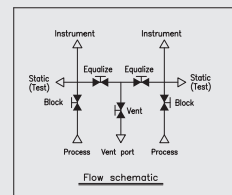
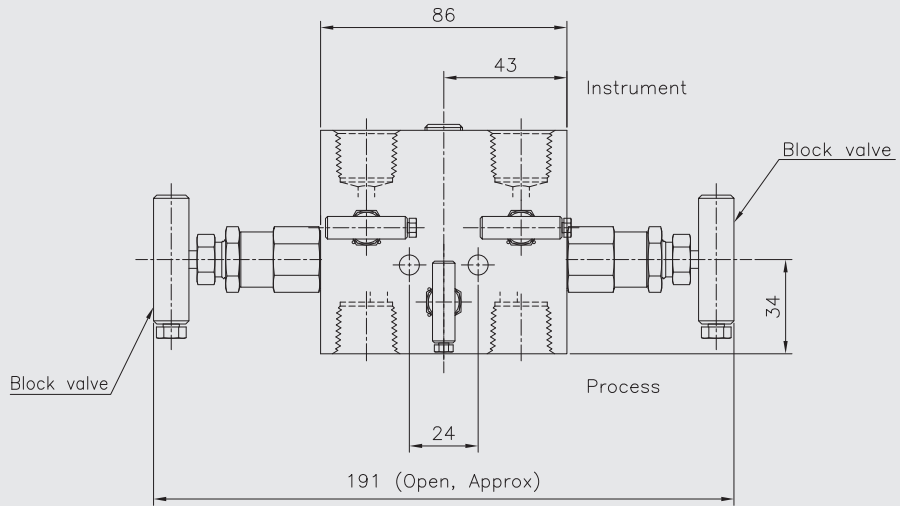
A080 : Type of mounting (1/3)

Code T1/T2



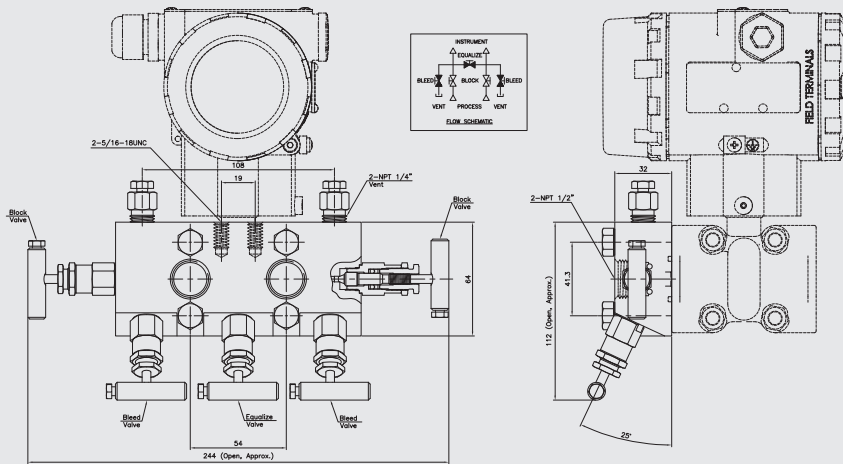
A080 : Type of mounting (2/3)

Code F2

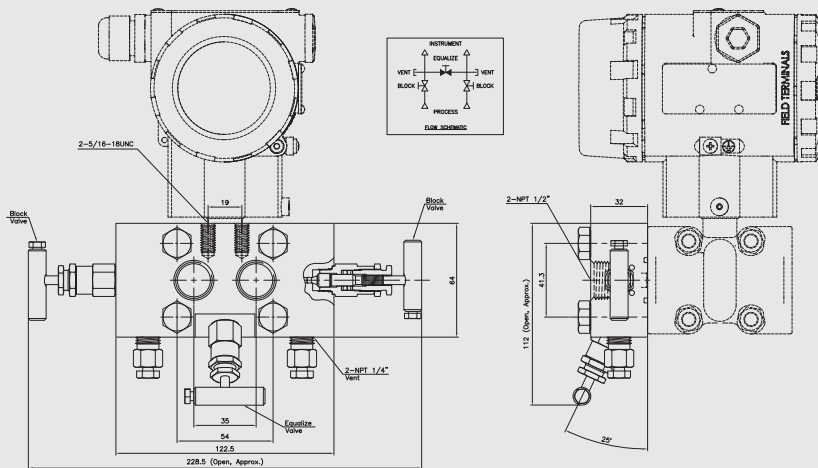


A080 : Type of mounting (3/3)

Code F7



Code T7



Conversion table

Pressure conversion chart

psi	atm	kgf/cm ²	inH ₂ O	mmHg	inHg	kPa	bar	mmH ₂ O
1	0.068046	0.070307	27.7276	51.715	2.03602	6.835	0.06895	704.28104
14.696	1	1.0332	407.484	760	29.921	101.325	1.01325	10350.0936
14.2233	0.96784	1	394.38	735.559	28.959	98.096	0.98067	10,000
0.036092	0.002454	0.00253	1	1.8651	0.07343	0.249	0.00249	25.4
0.019336	0.001315	0.001359	0.53616	1	0.03937	0.1333	0.001333	13.618464
0.491154	0.0033421	0.03453	13.6185	25.4	1	3.3864	0.033864	345.9099
0.145	0.00987	0.010197	4.0186	7.5006	0.2953	1	0.01	102.07244
14.5038	0.98692	1.01972	402.156	750.062	29.53	100	1	10214.7624
0.00142	0.000097	0.0001	0.03937	0.0734	0.0029	0.0098	0.000098	1