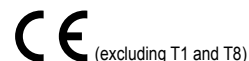


T Series	Applicable cylinder	CAC4 CKV2 CMA2 CMK2 HCM JSC3 JSC4 JSG JSK2 JSM2 LCG LCR LCW
		LCX MRG2 MRL2 RCC2 RCS RRC SCA2 SCG SCM SCP*3 SCS2 SRM3 SSD
		SSD2 SSG STG STS/STL STK UCA2 UCAC2 ULK Hand chuck



T*H/T*WH



T*V/T*WV



T1H



T1V



T8H/T*YH



T8V/T*YV

Specifications

Descriptions	Proximity 2-wire					Proximity 3-wire			
	T1H/T1V	T2H/T2V	T2HR3/T2VR3 (Bend resist lead wire)	T2JH/T2JV (Off-delay)	T2YH/T2YV (2-color display)	T2WH/T2WV (2-color display)	T3H/T3V	T3PH/ T3PV (PNP output)	T3YH/T3YV (2-color display)
Applications	For programmable controller, relay, compact solenoid valve		Dedicated for programmable controller			For programmable controller, relay			
Output method						NPN output PNP output NPN output NPN output			
Power supply voltage						10 to 28 VDC			
Load voltage	85 to 265 VAC	10 to 30 VDC			24 VDC ±10%	30 VDC or less			
Load current	5 to 100 mA	5 to 20 mA (*1)				100 mA or less		50 mA or less	
Current consumption	-					With 24 VDC 10mA or less	With 24 VDC 12mA or less	10 mA or less with 24 VDC	
Internal voltage drop	10% or less of load voltage	4 V or less				0.5 V or less			
Off-delay time			200±50 ms						
Indicator lamp	Red LED (Lit when ON)			Red/green LED (Lit when ON)	Red/green LED (Lit when ON)	Red LED (Lit when ON)	Yellow LED (Lit when ON)	Red/green LED (Lit when ON)	
Leakage current	1 mA or less with 100 VAC, 2 mA or less with 200 VAC	1 mA or less			10 µA or less				
Lead wire length *6	1 m (oil resistant vinyl cabtyre cable 2-conductor 0.3 mm ²)	1 m (oil resistant vinyl cabtyre cable 2-conductor 0.2 mm ²)	3 m (elasticity, oil resistant vinyl cabtyre cable 2-conductor 0.2 mm ²)	1 m (oil resistant vinyl cabtyre cable 2-conductor 0.3 mm ²)	1 m (oil resistant vinyl cabtyre cable 2-conductor 0.2 mm ²)	1 m (oil resistant vinyl cabtyre cable 3-conductor 0.2 mm ²)	1 m (oil resistant vinyl cabtyre cable 3-conductor 0.3 mm ²)	1 m (oil resistant vinyl cabtyre cable 3-conductor 0.2 mm ²)	
Shock resistance	980 m/s ²								
Insulation resistance	≥100 MΩ at 500 VDC (megger)	20 MΩ and over with 500 VDC megger	≥100 MΩ at 500 VDC (megger)		20 MΩ and over with 500 VDC megger	20 MΩ and over with 500 VDC megger	100 MΩ and over with 500 VDC megger	20 MΩ and over with 500 VDC megger	
Withstand voltage	No failure after 1 minute of 1,500 VAC application.		No failure after 1 minute of 1,000 VAC application.						
Ambient temperature	-10 (14°F) to +60°C (140°F)								
Degree of protection	IEC Standard IP67, JIS C0920 (water-tight), oil resistance								
Weight	1 m:33 g 3 m:87 g 5 m:142 g	1 m:18 g 3 m:49 g 5 m:80 g	1 m:33 g 3 m:87 g 5 m:142 g	1 m:18 g 3 m:49 g 5 m:80 g	1 m:18 g 3 m:49 g 5 m:80 g	1 m:18 g 3 m:49 g 5 m:80 g	1 m:33 g 3 m:87 g 5 m:142 g	1 m:18 g 3 m:49 g 5 m:80 g	

Descriptions	Reed 2-wire					
	T0H/T0V		T5H/T5V		T8H/T8V	
Applications	For programmable controller, relay		For programming controller relay (no indicator lamp), serial connection		For programmable controller, relay	
Power supply voltage						
Load voltage	12/24 VDC	110 VAC	5/12/24 VDC	110 VAC	12/24 VDC	110 VAC 220 VAC
Load current	5 to 50 mA	7 to 20 mA	50 mA or less	20 mA or less	5 to 50 mA	7 to 20 mA 7 to 10 mA
Current consumption						
Internal voltage drop	3 V or less		0.1 V or less (*5)		4 V or less	
Indicator lamp	Red LED (Lit when ON)		Without indicator lamp		Red LED (Lit when ON)	
Leakage current	0 mA					
Lead wire length	1 m (oil resistant vinyl cabtyre cable 2-conductor 0.2 mm ²)				1 m (oil resistant vinyl cabtyre cable 2-conductor 0.3 mm ²)	
Shock resistance	294 m/s ²					
Insulation resistance	20 MΩ and over with 500 VDC megger				100 MΩ and over with 500 VDC megger	
Withstand voltage	No failure after 1 minute of 1,000 VAC application.				No failure after 1 minute of 1,500 VAC application.	
Ambient temperature	-10 (14°F) to +60°C (140°F)					
Degree of protection	IEC Standard IP67, JIS C0920 (water-tight), oil resistance					
Contact protection circuit *6	None				Yes	
Weight	1 m:18 g 3 m:49 g 5 m:80 g				1 m:33 g 3 m:87 g 5 m:142 g	

*1: The above max. load current is 20 mA at 25°C. The current is lower than 20 mA if the operating ambient temperature around the switch is higher than 25°C. (5 to 10 mA at 60°C)

*2: T2HR3, T2VR3, T3PH and T3PV switches are available as custom order when installed onto cylinders.

*3: T2JH and T2JV switches are available as custom order when installed onto SRL3 (φ32 to φ100), MRL2, LCR, UCAC2 or Hand-chuck.

*4: Switches are limited depending on cylinder. Refer to each cylinder page for the details.

*5: Internal resistance 0.5 Ω or less.

*6: Refer to Intro Page 80 for contact protective measures.

T Series	AC magnetic field	Applicable cylinder	CAC4	JSC3	JSC4	JSG	SCA2	SCG	SCM
			SCS2	SRG3	SRL3	SRM3	SRT3	SSD	SSD2
			SSG	STG	STS/STL	STK	UCAC2		



Specifications

Descriptions	Proximity 2-wire		
	T2YD	T2YDT	T2YDU (custom order)
Applications	Dedicated for programmable controller		
Indicator lamp	Red/green LED (Lit when ON)		
Load voltage	24 VDC \pm 10%		
Load current	5 to 20 mA		
Internal voltage drop	6 V or less		
Leakage current	1.0 mA or less		
Output delay time *1 (Delay ON, delay OFF)	60 ms or less		
Lead wire length	1 m (oil resistant vinyl cabtyre cable ϕ 6, 0.5 mm ² x 2-conductor) *2	1 m (flame-resistant vinyl cabtyre cable ϕ 6, 0.5 mm ² x 2-conductor) *2	0.3 m (flame-resistant vinyl cabtyre cable with M12 cable connector, AWG20, 2-conductor)
Insulation resistance	100 M Ω and over with 500 VDC megger		
Withstand voltage	No failure after 1 minute of 1,000 VAC application.		
Shock resistance	980 m/s ²		
Ambient temperature	-10 (14°F) to +60°C (140°F)		
Degree of protection	JIS C0920 (water-tight), IEC standards IP67, oil resistance		
Weight	g 1 m:61 3 m:166 5 m:272		35

*1: Indicates the time from magnetic sensor detection of the piston magnet until switch output.

*2: 3 m and 5 m lead wires are available as options.

3: As the switch for AC magnetic field (T2YD) is for spot welding machine, it cannot be used with arc welding machine (DC).

T Series	Cutting oil	Applicable cylinder	CMK2-G2/3	HRL-G2/3	SCA2-G2/3	SCG-G2/3	SRL3-J
			SSD-G2/3	SSD2-G2/3	STG-G2/3	STS/STL-G2/3	



Specifications

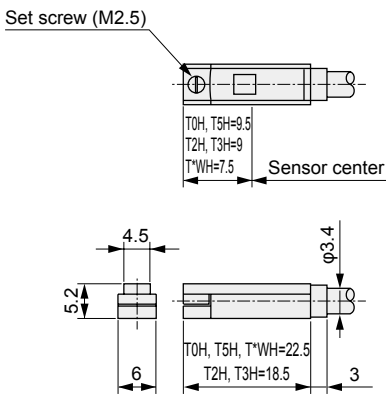
Descriptions	Proximity 2-wire	Proximity 3-wire
	T2YLH, T2YLV	T3YLH, T3YLV
Applications	Dedicated for programmable controller	Programmable controller, relay
Output method	-	NPN output
Power supply voltage	-	10 to 28 VDC
Load voltage	10 to 30 VDC	30 VDC or less
Load current	5 to 20 mA	50 mA or less
Current consumption	-	10 mA or less at 24 VDC (when ON)
Internal voltage drop	4 V or less	0.5 V or less
Leakage current	1 mA or less	10 μ A or less
Indicator lamp	Red/green LED (Lit when ON)	
Lead wire	Oil resistant vinyl cabtyre cable 0.3 mm ² , 2-conductor 1 m	Oil resistant vinyl cabtyre cable 0.2 mm ² , 3-conductor 1 m
Insulation resistance	100 M Ω and over with 500 VDC megger	
Withstand voltage	No failure after 1 minute of 1,000 VAC application.	
Shock resistance	980 m/s ²	
Hysteresis	1.5 mm or less	
Ambient temperature	-10 (14°F) to +60°C (140°F)	
Degree of protection	IEC Standards IP67, JIS C0920 (water-tight), oil resistance	
Weight	g 1 m:33 3 m:87 5 m:142	

Cylinder switch

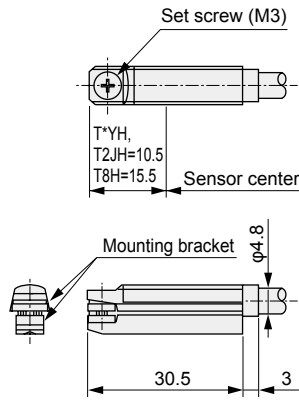
Ending

Dimensions

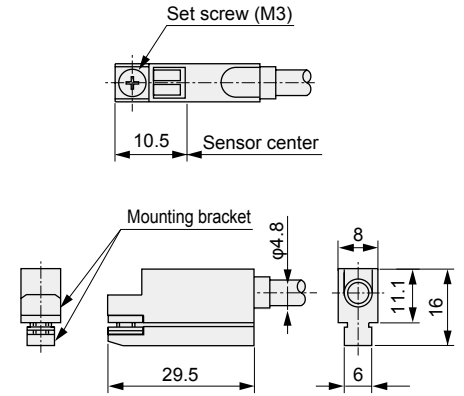
● T*H/T*WH Series
(lead wire straight)



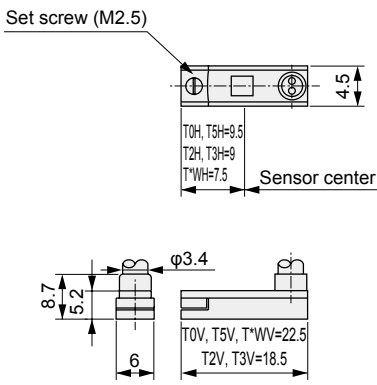
● T*YH/T2JH/T8H Series
(lead wire straight)



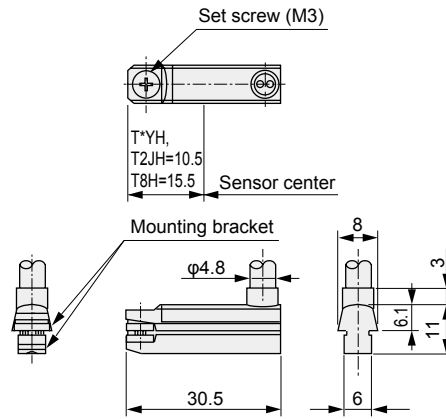
● T1H Series
(lead wire straight)



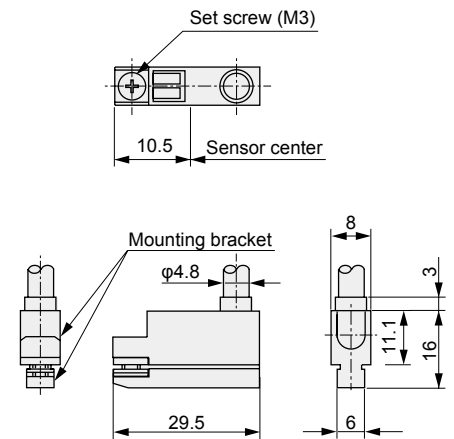
● T*V/T*WV Series
(lead wire L-shaped)



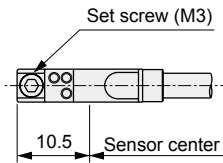
● T*YV/T2JV/T8V Series
(lead wire L-shaped)



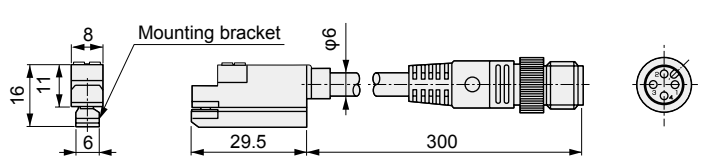
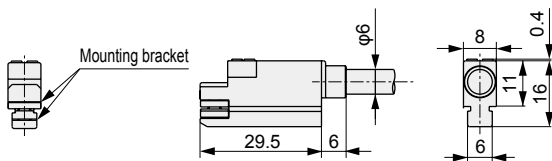
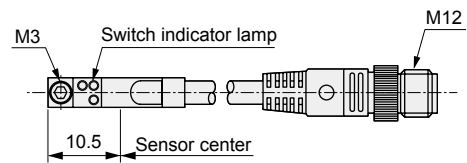
● T1V Series
(lead wire L-shaped)



● T2YD (switch for AC magnetic field)

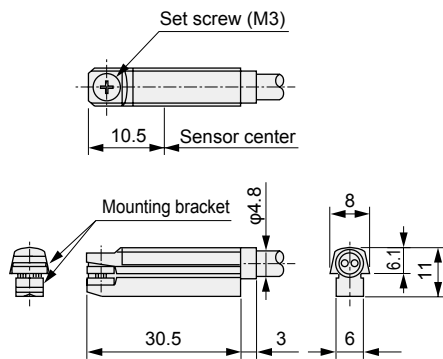


● T2YDU (switch for AC magnetic field with M12 cable connector)

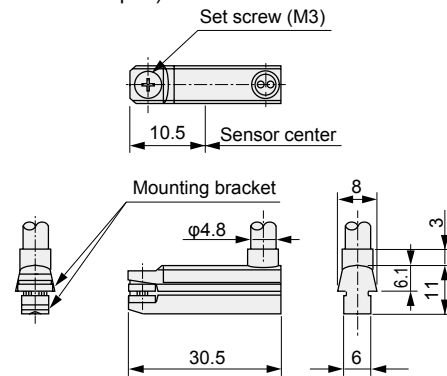


Dimensions

● T*YLH Series
(lead wire straight)



● T*YLV Series
(lead wire L-shaped)



Switch internal circuit diagram

● T1H/T1V	● T2H/T2V/T2YH/T2YV/T2WH/T2WV/T2JH/T2JV/T2YLH/T2YLV	● T3H/T3V/T3YH/T3YV/T3WH/T3WV/T3YLH/T3YLV	● T3PH/T3PV
● T0H/T0V	● T5H/T5V	● T8H/T8V	● T2YD/T2YDT/T2YDU
			<p>This switch is not polarized. Values in () are the pin layout for T2YDU. However, 1-pin and 2-pin are NC</p>