



NEW CX.250 DISC

FOR COMBIFLEX PNEUMATIC BRAKES



- ✓ no holes on the surfaces
- ✓ **max cooling** of the crucial zones of the brake
- ✓ rotation in both directions with any loss in performance
- ✓ increase in brake life span
- ✓ bigger central hub
- ✓ patented for design and working principle

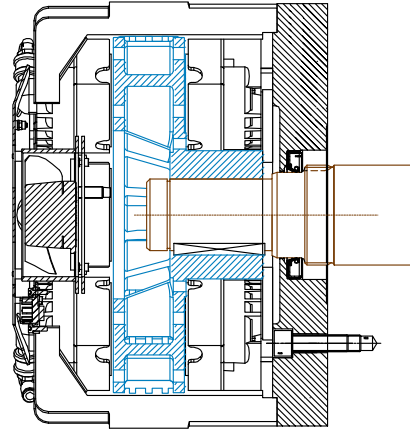
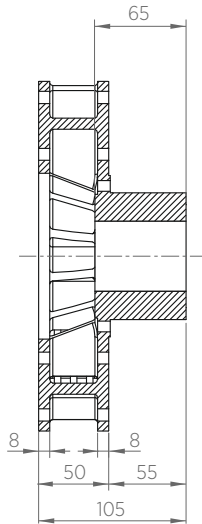
The NEW disc for CX.250 Combiflex brakes, made of a special cast iron, has been studied to guarantee very high performance in every working conditions. Our dedication for the research of new materials and the study of air circulation inside the brake, have allowed us to find new solutions in order to be considered leaders on the market.

The new CX disc has no holes on the external surfaces in order to guarantee a longer life-span; moreover, the new technology and design allowed the disc to maintain the same performance in both rotation directions.

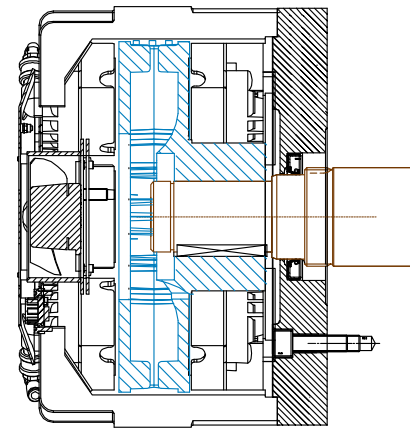
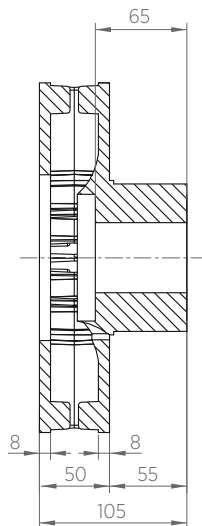
To increase the life span of the brake, has been studied a new system to guide the air flow in order to cool the crucial zones of the disc. Thanks to this system, the disc is able to increase more than 40% the resistance to problems due to thermal shock.

For these important and innovative features, the new CX disc has been patented both for design and working principle.

OLD CX.250 DISC TECHNICAL DRAWING



NEW CX.250 DISC TECHNICAL DRAWING



TECHNICAL DATA

	Old CX disc	New CX disc
Material	cast iron G26	special cast iron
Heat dissipation with dx rotation	100%	100%
Heat dissipation with sx rotation	-20%	100%
Pads wear with HP3 fan	3-4 year	+20%
Taper lock max	45x75	50x80
Max central bore with key	65 H7 + key	75 H7 + key
Min hole without bush	35 H7 + key	30 H7 + key
Weight with short hub	9 kg	9,5 kg
Weight with long hub	11 kg	11,5 kg

*Data are subject to technical change without notice