

Type BM8H Load Cell



Short description



- Stainless steel IP68 shear beam load cell
- Hermetically sealed
- Suitable for hopper, platform and pallet scales
- High accuracy
- Current calibrated (A1-option)



Test certificate no. TC8104 Revision 2
C of C no R60/2000-NL1-13.20 Revision 1
Certificate no. 10-056A1

Available models

Capacity	Accuracy	Full article description
500kg	C3	BM8H-C3-500kg-3B-A1
1t	C3	BM8H-C3-1t-3B-A1
1.5t	C3	BM8H-C3-1.5t-3B-A1
2t	C3	BM8H-C3-2t-6B-A1
5t	C3	BM8H-C3-5t-6B-A1

Specifications and dimensions are subject to change without notice and do not constitute any liability whatsoever.

Type BM8H Load Cell

Technical specifications BM8H

Accuracy class		OIML R60 C3
Output sensitivity (= FS)	mV/V	2.0 ± 0.02
Maximum capacity (E _{max})	t	0.5, 1, 1.5, 2, 5
Max.number of load cell intervals	n _{LC}	3000
Ratio of min. LC verification interval	$Y = E_{max} / v_{min}$	15000
Combined Error	%FS	≤± 0.0230
Minimum dead load	Of E _{max}	0%
Safe overload	of E _{max}	150 %
Ultimate overload	of E _{max}	300 %
Zero balance	of FS	< ± 1.0 %
Excitation, recommended voltage	V	5 ~ 12
Excitation maximum	V	18
Input resistance	Ω	1000 ± 10
Output resistance	Ω	1000 ± 10
Insulation resistance	MΩ	≥5000 (at 50VDC)
Compensated temperature	°C	-10 ~+40
Operating temperature	°C	-35 ~ +65
Storage temperature	°C	-40 ~ +90
Element material		Stainless steel
Ingress Protection (acc. to EN 60529)		IP68
Recommended torque on fixation	Nm	M12: 100 M20:450
ATEX classification (optional)		II1G Ex ia II1C T4 II1D Ex iaD 20 T73°C II3G nL IIC T4

Wiring

Features:

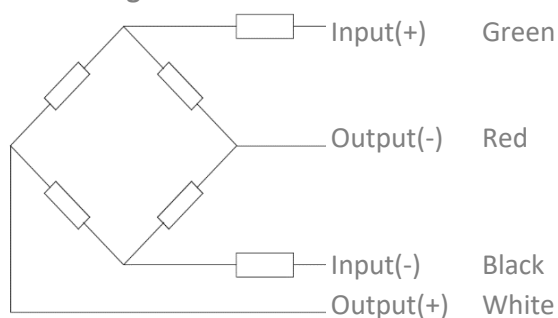
Shielded, 6 conductor cable and 4 conductor cable for all capacities

Cable diameter: Ø5mm

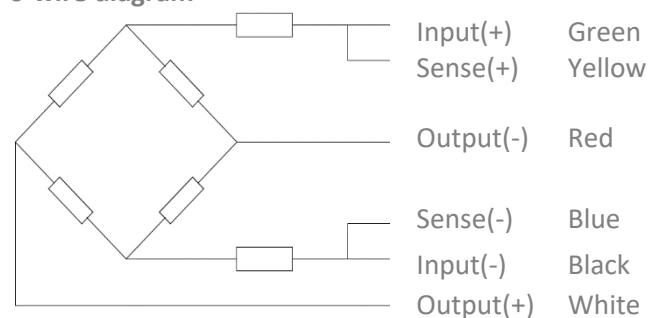
Standard cable length for 500kg – 1t: 3m and for 2t – 5t: 6m

Shield not connected to element

4-wire diagram



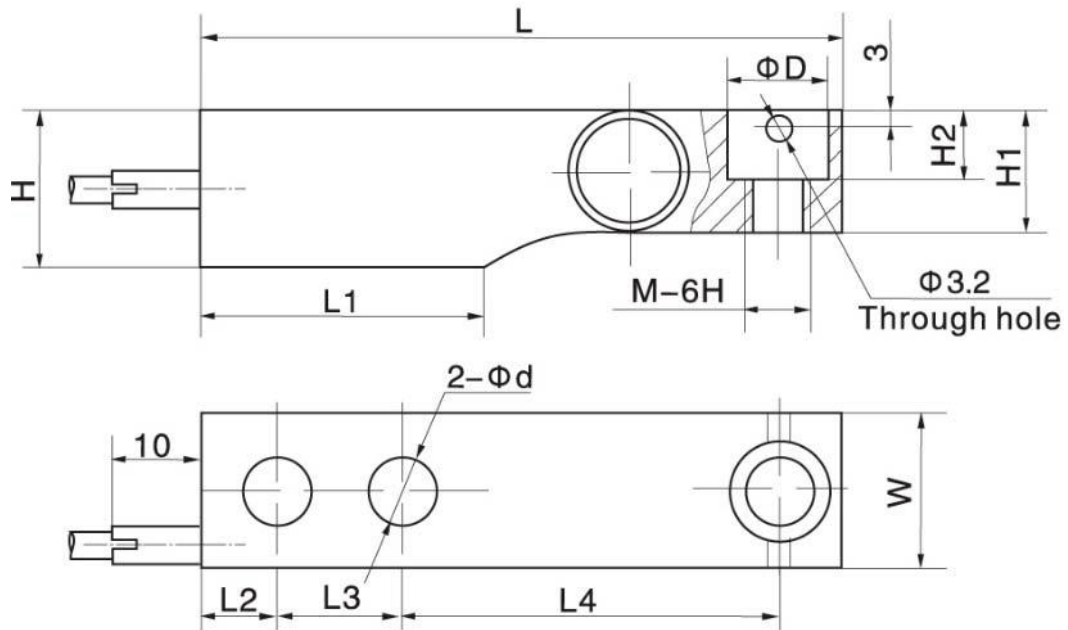
6-wire diagram



Specifications and dimensions are subject to change without notice and do not constitute any liability whatsoever.

Type BM8H Load Cell

Dimensions in mm

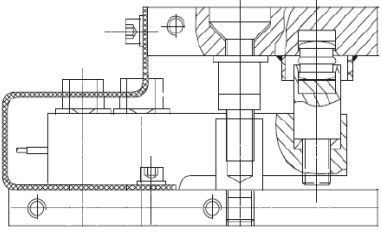
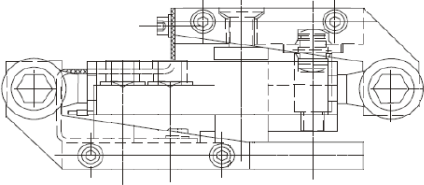
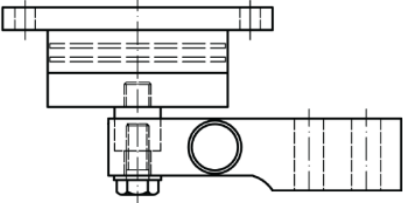
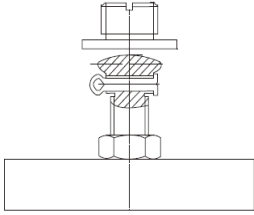
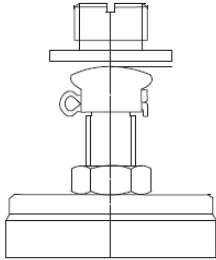
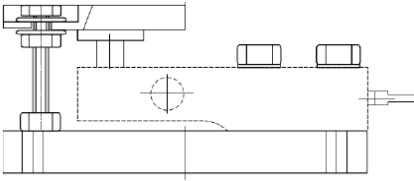


Dimension Capacity	L	L1	L2	L3	L4	H	H1	H2	W	D	d	M
500kg	130.0	57.1	15.5	25.4	76.2	31.8	26.0	14.2	31.8	20.5	13	M12
1.0t	130.0	57.1	15.5	25.4	76.2	31.8	27.95	14.2	31.8	20.5	13	M12
1.5t, 2,0t	130.0	57.1	15.5	25.4	76.2	35.9	31.95	14.2	31.8	20.5	13	M12
5.0t	172	76.2	19.1	38.1	95.3	44	40	20	38	30.2	20.5	M20

Specifications and dimensions are subject to change without notice and do not constitute any liability whatsoever.

Type BM8H Load Cell

Available accessories

<p>BM-8-411- 0.5-5t tankmount</p> <ul style="list-style-type: none"> • Stainless steel mount • Easy load cell access • Self aligning construction • Lift-off protection • Controlled horizontal movement 	
<p>BM-8-412- 0.5-5t stabilized tankmount</p> <ul style="list-style-type: none"> • BM-8-411 + stay rod • Stainless steel mount • Easy load cell access • Self aligning construction • Lift-off protection • Stabilized by stay rod 	
<p>Elastomer BM8H 0.5-5t</p> <ul style="list-style-type: none"> • Easy installation • Suitable for shock load 	
<p>BJ-8-206-0.25-2t adjustable foot Ø 80</p> <ul style="list-style-type: none"> • Easy installation • Adjustable height • Automatically centralized inside • Good ability of anti-side loading 	
<p>BJ-8-207-0.25-5t adjustable foot Ø 60</p> <ul style="list-style-type: none"> • Easy installation • Adjustable height • Automatically centralized inside • Good ability of anti-side loading 	
<p>BM-8-406- 0.25-5t</p> <ul style="list-style-type: none"> • Stainless steel mount • Easy load cell access • Self aligning construction • Lift-off protection • Controlled horizontal movement 	

Specifications and dimensions are subject to change without notice and do not constitute any liability whatsoever.