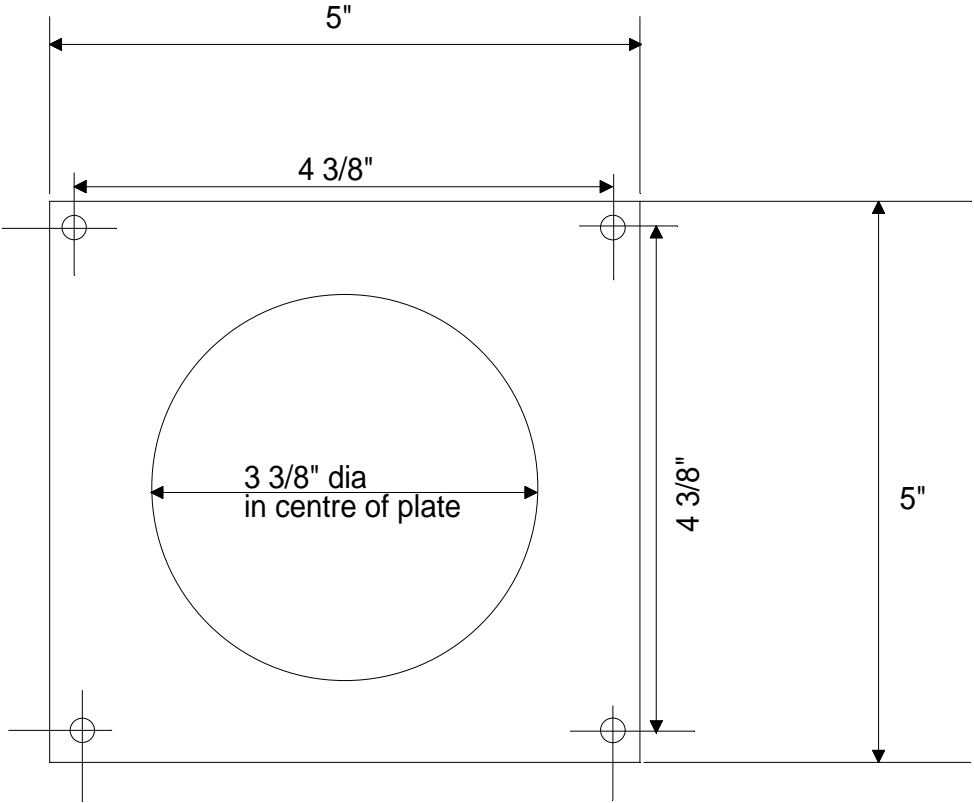


1 2 3 4 5 6 7 8 9



All Diamentions in Inches
 Plate 1/16" Think
 Four holes 3/16"

				DATE	29/10/12
				DRN	NT
				CHKD	
REV	REVISION	DATE	NAME		

Precision Controls Ltd
 0161-476-4606

SPD 101 Mounting Plate

DRG NO PCL - 101

SHEET