

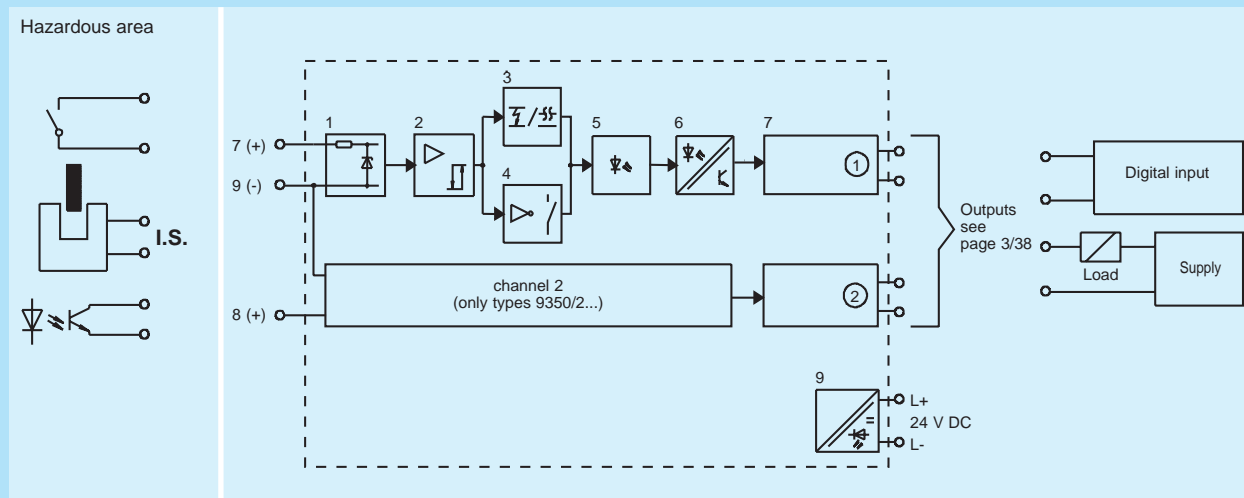
I.S. Isolators (DIN Rail Mounting) Switching Repeater Type 9350

- Intrinsically safe input [EEx ia] IIC
- Power supply 18...35 V DC
- Galvanic isolation between input, output and power supply
- Open-circuit and short-circuit monitoring (disconnectable)
- 1 and 2 channels
- Operating mode can be set
- Transmission frequency up to 10 kHz
- Active or passive inputs
- Installation in Zone 2 (Div 2) possible
- EMC tested, CE marking



Basic function: binary/digital input, 1 and 2 channels

The switching repeaters are suitable typically for intrinsically safe operation of contacts, proximity switches to DIN 19234 (NAMUR), optocoupler outputs, etc. They are also suitable for pulsed signals.



Selection table

Version	Output	Input	Ordering code
2 channels	signal contact	NAMUR	9350/20-11-10
2 channels	power contact	NAMUR	9350/20-12-10
2 channels	electronic	NAMUR	9350/20-14-10
1 channel	signal contact	NAMUR	9350/10-11-10
1 channel	power contact	NAMUR	9350/10-12-10
1 channel	electronic	NAMUR	9350/10-14-10
1 channel	electronic + signal contact	NAMUR	9350/10-15-10
1 channel	electronic	for voltage pulses	9350/10-24-10

Safety data for input

Certifications	BVS (Europe, CENELEC), CSA (Canada), SEV (Switzerland), FTZU (Czech Republic), EVPU (Slovakia), BKI (Hungary), KDB (Poland), VNIIEF (Russia), FM (USA)
Marking	[EEx ia] IIC/IIB according to CENELEC
Classification	associated electrical apparatus

Safe maximum values (CENELEC) per input

Types	9350/0-1.-10	9350/10-24-10*)
Max. voltage U_m	10.6 V	10.6 V
Max. current I_m	29.7 mA	1.1 mA
Max power P_m	79 mW	3 mW
Max. capacitance C_a for [EEx ia] IIC/IIB	2.5 μ F / 15 μ F	2.5 / 15 μ F, $C_{int} \leq 3$ nF
Max. inductance L_a for [EEx ia] IIC/IIB	40 mH / 150 mH	1 H / 1 H

*) Type 9350/10-24-10 (passive input): only for connection to certified intrinsically safe circuits with $U_m \leq 28$ V

Further information and combinations of values, see certifications

I.S. Isolators (DIN Rail Mounting) Switching Repeater Type 9350



Technical data

Power supply

Rated voltage U_N 24 V DC
Voltage range 18..35 V DC

Types	9350/20-11-10 9350/20-12-10	9350/20-14-10	9350/10-11-10 9350/10-12-10	9350/10-14-10	9350/10-24-10	9350/10-15-10
Rated current (for U_N) I_N	42 mA	38 mA	32 mA	24 mA	24 mA	36 mA
Max. power consumption	1.0 W	0.91 W	0.77 W	0.58 W	0.58 W	0.86 W
Polarity reversal protection	yes	yes	yes	yes	yes	yes

Input

Types 9350/.0-1.-10: to DIN 19234 (NAMUR)
Type 9350/10-24-10: for active sources/pulses
voltage for ON \leq 6.5 V
voltage for OFF 7.5 V..24 V

Output

Types	9350/.0-11-10		9350/.0-12-10	
Contact rating	AC	DC	AC	DC
Max. switching voltage	125 V	150 V	250 V	250 V
Max. switching current	0.5 A	0.5 A	2 A	2 A
Max. switching power	50 VA	25 W	100 VA	50 W
Min. contact load (guideline)	1 V, 100 μ A		12 V, 100 mA	
Max. switching frequency	15 Hz		15 Hz	
Electronic output (short-circuit proof):				
Rated voltage			35 V	
Rated current			50 mA	
Switching frequency			\leq 10 kHz	

Overview

Types	9350/20-11-10 9350/20-12-10	9350/20-14-10	9350/10-11-10 9350/10-12-10	9350/10-14-10 9350/10-24-10	9350/10-15-10
①					
②					

Open-circuit and/or short-circuit

Output behavior on open-circuit or short-circuit OFF
Monitoring disconnectable

Dimensions (Casing type A), mechanical data, ambient conditions and accessories see page 3/58f.

STAHL

