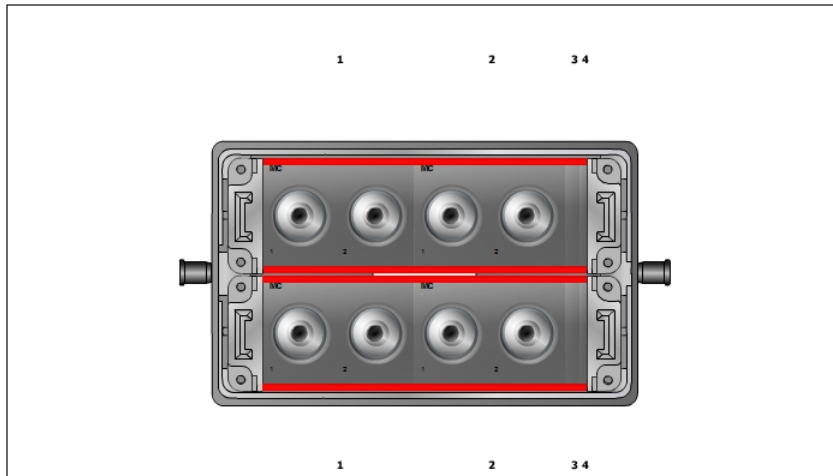
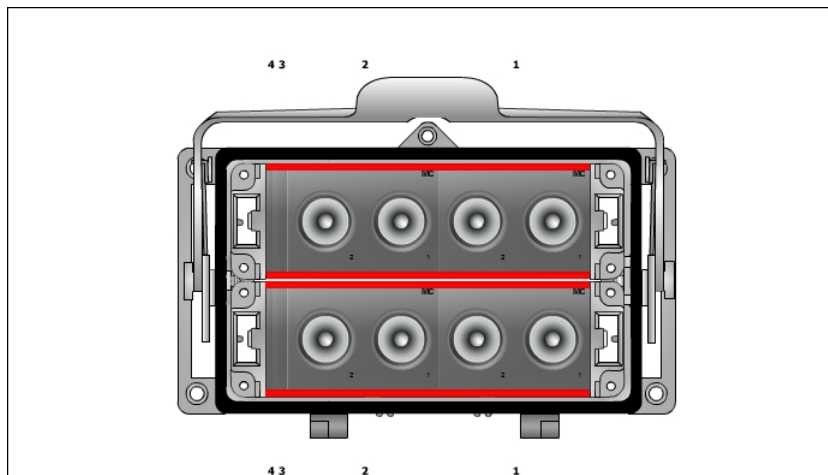


Modul No. male part: 110618
Modul No. female part: 110427

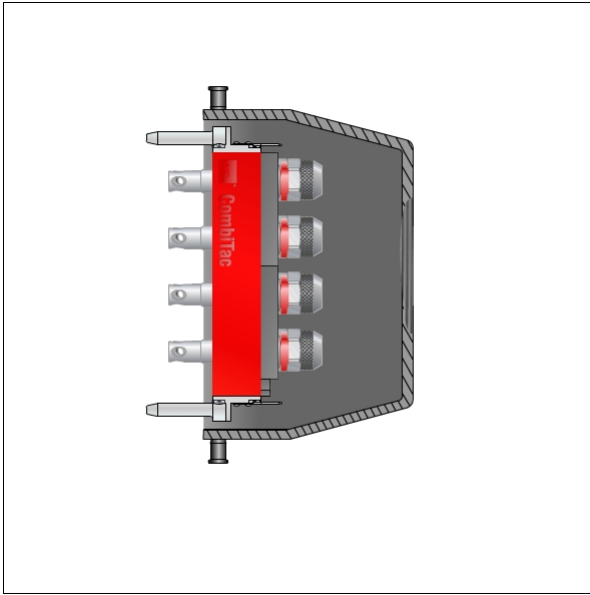
Male part



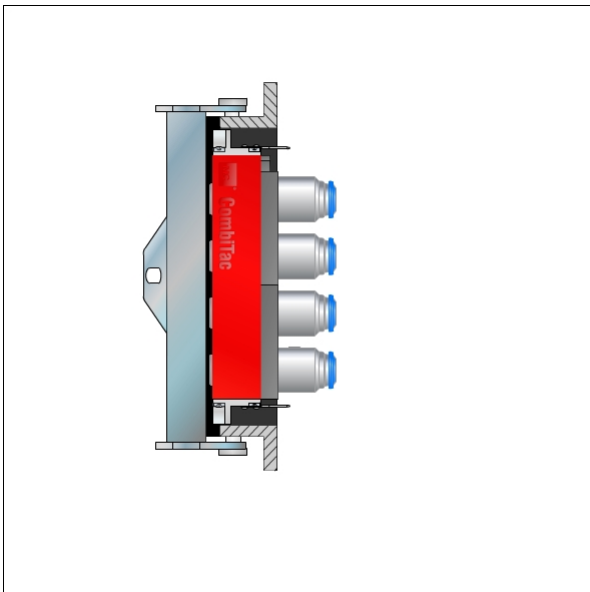
Female part



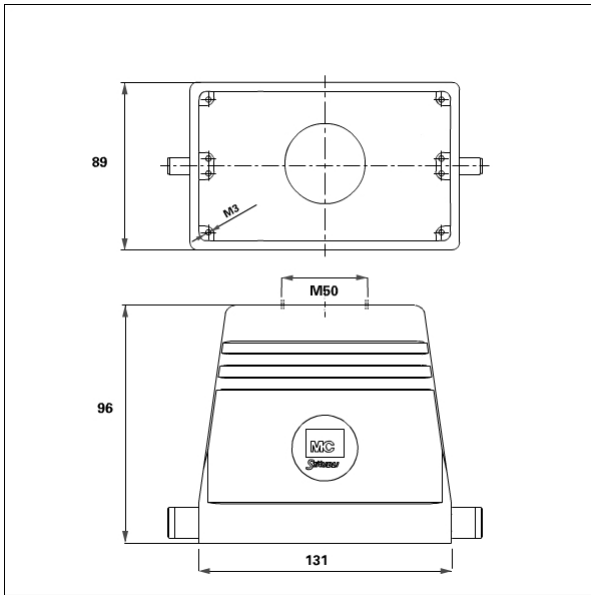
Modul No. male part: 110618
Modul No. female part: 110427



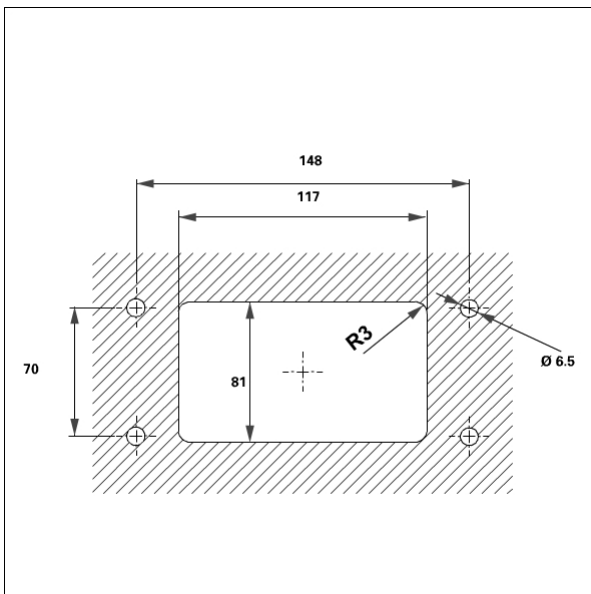
Female part



Modul No. male part: 110618
Modul No. female part: 110427



Fitting sizes



Pos.	Order No.	Type	Designation	Voltage/Current	Width/Size
Housing					
	33.1076	CT-TG6-G	IP65 Housing (Cable 0°)		6
End pieces					
	33.4057	CT-BEG-S	End piece with earthing for DIN		
	33.4057	CT-BEG-S	End piece with earthing for DIN		
	33.4057	CT-BEG-S	End piece with earthing for DIN		
	33.4057	CT-BEG-S	End piece with earthing for DIN		
Carrier					
1	33.4031	CT-E-UCT08-2	Carrier		42
1	33.0601	CT-S-RCT06/8	Plugs		
2	33.0601	CT-S-RCT06/8	Plugs		
2	33.4031	CT-E-UCT08-2	Carrier		42
1	33.0601	CT-S-RCT06/8	Plugs		
2	33.0601	CT-S-RCT06/8	Plugs		
3	33.4042	CT-DIP4	Spacer 4mm		4
4	33.4040	CT-DIP2	Spacer 2mm		2
Module carrier 2					
1	33.4031	CT-E-UCT08-2	Carrier		42
1	33.0577	CT-S-RCT06/PLV8/10	Pin		
2	33.0577	CT-S-RCT06/PLV8/10	Pin		
2	33.4031	CT-E-UCT08-2	Carrier		42
1	33.0577	CT-S-RCT06/PLV8/10	Pin		
2	33.0577	CT-S-RCT06/PLV8/10	Pin		
3	33.4042	CT-DIP4	Spacer 4mm		4

Pos.	Order No.	Type	Designation	Voltage/Current	Width/Size
4	33.4040	CT-DIP2	Spacer 2mm		2

Pos.	Order No.	Type	Designation	Voltage/Current	Width/Size
Housing					
	33.1066	CT-AG6	IP65 Surface housing		6
End pieces					
	33.4056	CT-BEG-B	End piece with earthing for DIN		
	33.4056	CT-BEG-B	End piece with earthing for DIN		
	33.4056	CT-BEG-B	End piece with earthing for DIN		
	33.4056	CT-BEG-B	End piece with earthing for DIN		
Carrier					
4	33.4040	CT-DIP2	Spacer 2mm		2
3	33.4042	CT-DIP4	Spacer 4mm		4
2	33.4031	CT-E-UCT08-2	Carrier		42
1	33.0201	CT-BV-RCT06/8	Socket		
2	33.0201	CT-BV-RCT06/8	Socket		
1	33.4031	CT-E-UCT08-2	Carrier		42
1	33.0201	CT-BV-RCT06/8	Socket		
2	33.0201	CT-BV-RCT06/8	Socket		
Module carrier 2					
4	33.4040	CT-DIP2	Spacer 2mm		2
3	33.4042	CT-DIP4	Spacer 4mm		4
2	33.4031	CT-E-UCT08-2	Carrier		42
1	33.0177	CT-BV-RCT06/PLV8/10	Socket		
2	33.0177	CT-BV-RCT06/PLV8/10	Socket		
1	33.4031	CT-E-UCT08-2	Carrier		42

Pos.	Order No.	Type	Designation	Voltage/Current	Width/Size
1	33.0177	CT-BV-RCT06/PLV8/10	Socket		
2	33.0177	CT-BV-RCT06/PLV8/10	Socket		

Quantit	Order No.	Type	Designation
Frame			
80	33.5623	LI-KM-SHR M3x10	Screw
160	33.5615	LI-BL-SHR ST2.2x9.9	Screw
40	33.5606-90	CT-BS-mm	Supporting stripe (Module length: 90mm / Plastic)
20	13000283	Montage	Assembly