

General

Diaphragm metering pumps of the MEMDOS MR series have been developed for a broad range of applications in metering technology. Thus they are used in the industrial sector, in process engineering and very frequently in water and waste water treatment. Diaphragm metering pumps are leakproof.

Standard versions are metering pumps with the head located on the left-hand side.

Type MR...L (Symbol )

Upon request, metering pumps with the head on the right-hand side can be supplied.

Type MR...R (Symbol )

Duplex metering pumps are available with the head combinations shown in the following tables. The heads are arranged in diagonals.

Type ZMR.../... (Symbol )

The power of the motor is the same for simplex and duplex metering pumps because the diaphragms operate in a push-pull arrangement.

Metering Head

The heads are available in polypropylene and stainless steel. Special materials upon request.

Suction and discharge valves are double-ball valves up to the MR 290 version; for the bigger pumps, spring-loaded flat-seat valves are used. For viscous media of 400 mPas and more, spring-loaded single-ball valves are recommended for the suction and the discharge side. The opening pressure of the valve is about 0.1 bar.

Separating chamber

The diaphragm flanges have been designed so that, in the case of a diaphragm rupture due to wear, no chemical can escape randomly from the pump or enter the gear. The leakage is routed downwards through a drain pipe. The diaphragm flanges thus function as a separating chamber and are protected against aggressive media by means of powdery epoxy coating. The escaping leakage can be detected by a leakage probe causing the pump to be stopped (see MB 1 31 01).

Drive

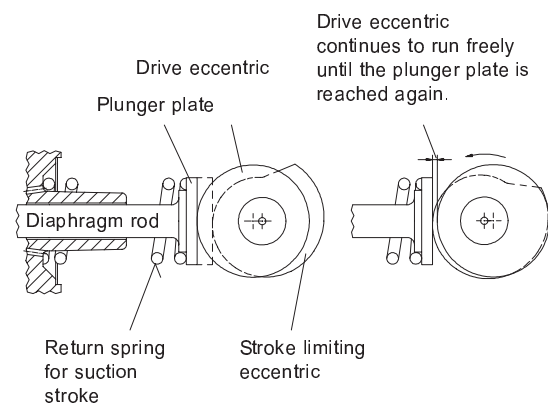
The drive unit consists of an oil-filled worm gear. The stroke is generated by an eccentric which moves back and forth a spring-loaded plunger fixed to the diaphragm. The metering stroke is achieved by the pushing force of the eccentric, the resetting of the spring causes the suction stroke. The stroke length is set by limiting the plunger return by means of a manually adjustable eccentric disk used as a stop.



The stroke length which determines the metering capacity can be adjusted manually during operation between 0 and 100 %.

The standard version is equipped with manual adjustment. Upon request, an automatic remote adjustment (ATE) can be supplied.

Functional diagram



Technical data

The capacity is valid at 50 Hz operation.

Simplex metering pumps

Memdos MR		400	600	980
max. pressure	bar	5	5	4
at max. pressure	l/h	440	640	990
	ml/stroke	165	165	165
strokes/min		47	70	101
diaphragm ø	mm	185	185	185
weight	kg plastic	38	38	38
	SS	48	48	48

Duplex metering pumps with equal heads

Memdos ZMR		50/50	75/75	115/115	140/140	210/210	290/290	400/400	600/600	980/980
max. pressure	bar	10	10	10	10	10	10	5	5	4
at max. pressure	l/h	50/50	90/90	135/135	160/160	240/240	290/290	440/440	640/640	990/990
	ml/stroke	20	20	20	37	37	48	165	165	165
strokes/min		47	70	101	70	101	101	47	70	101
diaphragm ø	mm	90	90	90	120	120	150	185	185	185
weight	kg plastic	38	38	38	38	38	40	50	50	50
	SS	48	48	48	48	48	53	60	60	60

Duplex metering pumps with different heads

Memdos ZMR		50/400		75/140		75/600		115/210		115/290		115/980		140/600		210/290		210/980		290/980	
max. press.	bar	10	5	10	10	10	5	10	10	10	10	10	4	10	5	10	10	10	4	10	4
at max. pressure	l/h	55	440	90	160	90	640	135	240	135	290	135	990	160	640	240	290	240	990	290	990
	ml/stroke	20	165	20	37	20	165	20	37	20	48	20	165	37	165	37	48	37	165	48	165
strokes/min.		47		70		70		101		101		101		70		101		101		101	
diaphragm ø	mm	90	185	90	120	90	185	90	120	90	150	90	185	120	185	120	150	120	185	150	185
weight	kg plastic	49		38		49		38		40		41		41		40		49		49	
	SS	55		48		55		48		53		55		55		50		55		55	

Additional components

Upon request, the metering pump can be supplied with an inductive sensor for the eccentric shaft allowing to use the number of strokes for batch processes.

Accessories
Thyristor controller

for the control of a d.c. drive
(see MB 4 20 01).

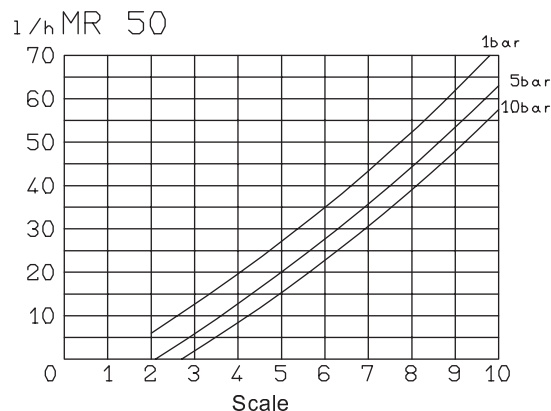
For further accessories see "Installation example".

Frequency converter

for the control of 3-phase motors. In the case frequency converter operation, a 0.75 kW motor and an external vent must be used.

Performance curves

run with water, suction lift about 0.5 m



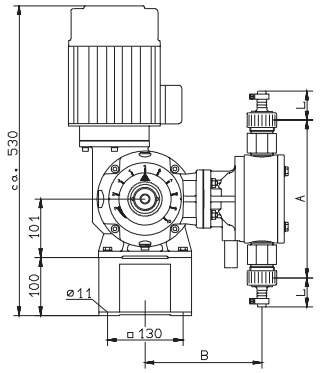
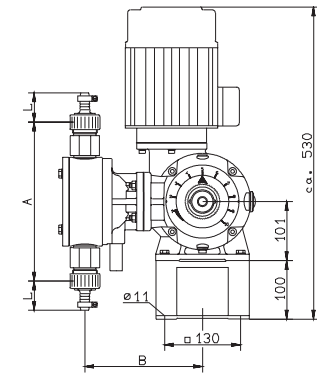
Simplex pumps

Left-hand version

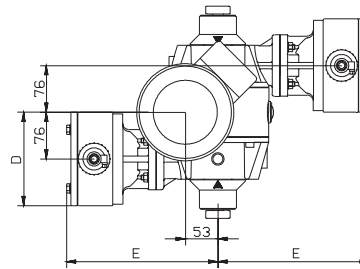
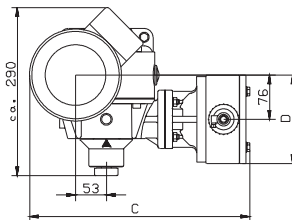
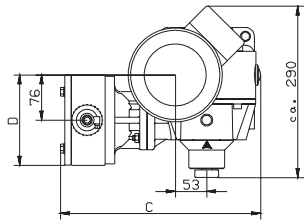
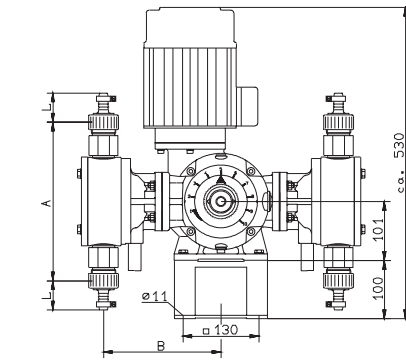
MR 50 L . . . MR 980 L

Right-hand version

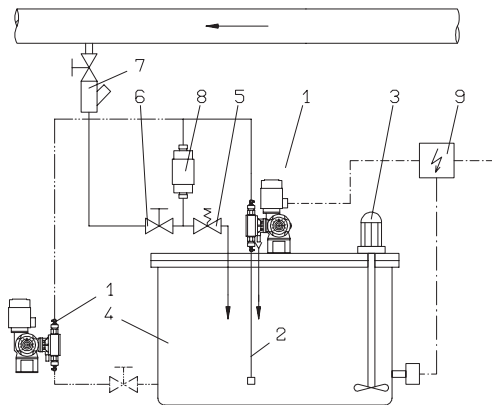
MR 50 R . . . MR 980 R



Duplex pumps



Installation example



In the case of duplex pumps with different metering heads the larger head must always be located on the left-hand side (L); for possible head combinations see table MB 1 05 02 / 5.

Dimensions

Model MR	A	B	C	D	E
50	272	201	370	∅152	228
75	272	201	370	∅152	228
115	272	201	370	∅152	228
140	272	201	370	∅152	228
210	272	201	370	∅152	228
290	296	201	370	∅170	225
400	265	225	425	∅230	300
600	265	225	425	∅230	300
980	265	225	425	∅230	300

Legend

- 1 Metering pump MEMDOS MR MB 1 05 02
- 2 Suction line MB 1 22 01
- 3 Electric agitator MB 1 36 03
- 4 Tank MB 1 20 01
- 5 Relief valve MB 1 25 01
- 6 Diaphragm shutoff valve MB 1 24 01
- 7 Injection nozzle MB 1 23 01
- 8 Pulsation dampener MB 1 27 01
- 9 Switchbox

Dimension L see selection table 5, page 7.

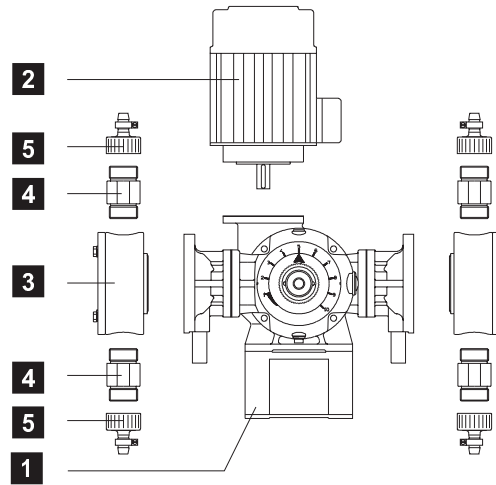
Selection tables

In order to offer the user a wide variety of pumps, the metering pumps have been divided into the most important functional groups. The pump can be made up according to the individual requirements.


Select the pump from the following modules:


- 1** Gear **2** Motor **3** Head
- 4** Valves **5** Connections

The numbers on the pump drawing refer to the corresponding selection tables.

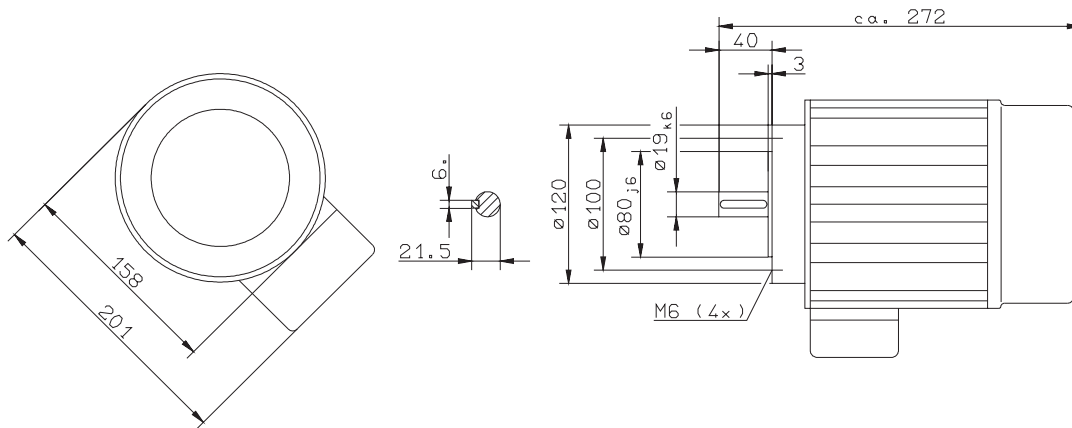


Pump model MR	1			
	Simplex pumps			
	Left-hand version L		Right-hand version R	
	Capacity adjustment			
	manual	ATE	manual	ATE
400	31247	31248	31440	31441
600	31249	31250	31442	31443
980	31251	31252	31444	31445

Pump model ZMR	1		
	Duplex pumps with different heads		
	Capacity adjustment		
	Symbol	manual	ATE
400/50		31653	31654
140/75		31655	31656
600/75		31657	31658
210/115		31659	31660
290/115		31661	31662
980/115		31663	31664
600/140		31665	31666
290/210		31667	31668
980/210		31669	31670
980/290		31671	31672

Pump model ZMR	1		
	Duplex pumps with equal heads		
	Capacity adjustment		
	Symbol	manual	ATE
50/50		31253	31254
75/75		31647	31648
115/115		31681	31682
140/140		31649	31650
210/210		31683	31684
290/290		31251	31652
400/400		31261	31262
600/600		31267	31268
980/980		31271	31272

Pump model MR	3		
	Heads		
	Diaphragm ø	PP	1.4571
50	90	23721	23727
75		23721	23727
115		23721	23727
140	120	23722	23728
210		23722	22728
290	150	23723	22334
400		23735	23736
600	185	23735	23736
980		23735	23736



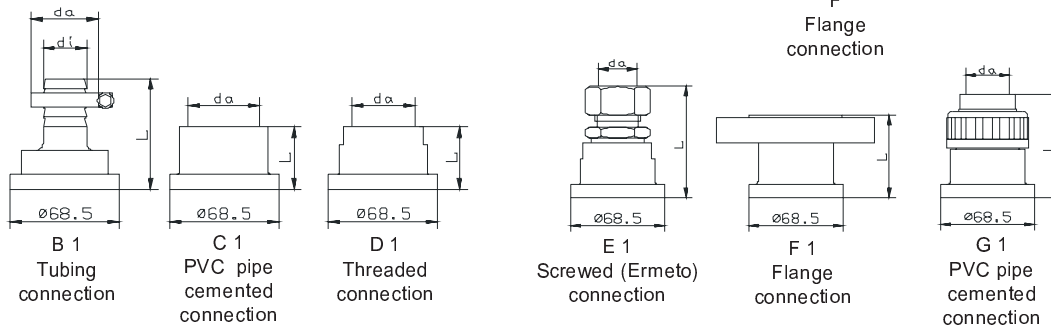
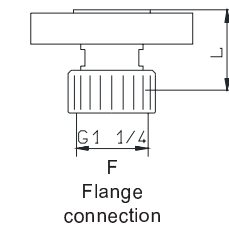
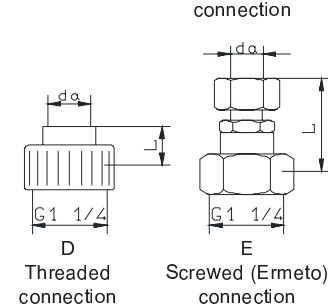
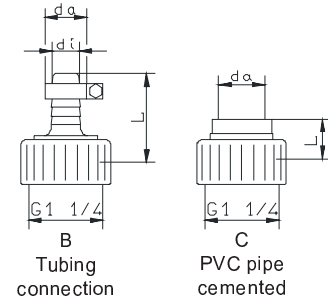
2									
E. motor type	Part No.	Circuit	Voltage V	Current consumption A	Power kW	Speed 1/min	Frequency Hz	Prot. Class	
								ISO Cl.	IP
AF 80 / 4A-11	78629	Δ Y	230/400	2.6 / 1.55	0.55	1390	50	F	55
AF 80 / 4B-11	78903	Δ Y	230/400	3.5 / 2.0	0.75	1400	50	F	55
AF 80 / 4B-11	78982	Δ Y	230/400	3.5 / 2.0	0.75	1400	50	F*	55

* Motor fitted with cold-conductor thermometer probe

4											
Pump model MR	Standard valves										
	MR 50...290: double-ball MR 400...980: spring-loaded with Hastelloy spring (disk valves as of 08.97)										
	Suction valve assembly						Discharge valve assembly				
	PP			1.4571			PP		1.4571		
	Seals of:										
	Hypalon	Viton	AF	Hypalon	Viton	Hypalon	Viton	AF	Hypalon	Viton	
50 ... 290	26841	26842	29694	—	—	27356	27357	29695	—	—	
400 ... 980	23703	23704	—	23705	25681	23703	23704	—	23705	25681	
Pump model MR	Spring-loaded valves with Hastelloy spring										
	Suction valve assembly						Discharge valve assembly				
	PP			1.4571			PP		1.4571		
	Seals of:										
		Hypalon	Viton	AF	Hypalon	Viton	Hypalon	Viton	AF	Hypalon	Viton
50 ... 290	26845	25707	29696	—	—	27353	27354	29697	—	—	

AF = asbestos-free

Pump Model	Dimensions					Part No. Version		
	DN	Abb.	di	da	L	PVC	PP	St. steel
MR	8	C	-	12	22	25923	-	-
		E	-	10	51	-	-	25926
	10	B	9	15	41	25921	-	25925
		C	-	16	22	27672	27664	-
		D	-	G 3/8	22	25930	33797	27037
50	15	B	16	26	50	25936	35649	25935
		C	-	20	22	25937	35490	-
	115	D	-	G 1/2	22	25943	33798	25944
		E	-	18	44	-	-	25939
		F	-	-	47	25956	-	-
	210	F	-	-	53	-	-	25957
	400	20	D1	-	G 3/4	40	24076	-
400 600 980	25	B1	25	34	70	24034	-	24063
		C1	-	32	40	21488	33770	-
		D1	-	G1	40	28458	34717	27040
		E1	-	28	80	-	-	27852
		F1	-	-	60	25622	-	25623
		G1	-	32	75	34050	34570	-
	32	C1	-	40	44	21491	34828	-
		D1	-	G 1 1/4	40	-	32759	25252


Order example

For metering aluminum sulfate and sodium hypochlorite, metering pumps are required.

Given operating data:

380 l/h aluminum sulfate, max. pressure 4 bar

45 l/h sodium hypochlorite, max. pressure 3 bar

Mains voltage: 230/400 V, 50 Hz

In this example, both chemicals shall be metered at a fixed ratio. Therefore a manually adjustable duplex pump ZMR 400/50 should be ordered.

Resistant head material: PP

The suction and discharge valves are determined according to the resistance of the sealing materials. Hypalon is resistant to aluminum sulfate. Viton is resistant to sodium hypochlorite.

The order reads as follows:

The metering pump is made up of the following modules:

1	Gear ZMR 400/50	Part No. 31653
2	Drive motor	78629
3	Head for MR 400 Head for MR 50	23735 23721
4	Suction valve for MR 400 Discharge valve for MR 400 Suction valve for MR 50 Discharge valve for MR 50	23703 23703 26842 27357
5	Suction connection for MR 400 Discharge connection for MR 400 Suction connection for MR 50 Discharge connection for MR 50	24034 24076 25936 27672

Diaphragm metering pump MEMDOS MR