

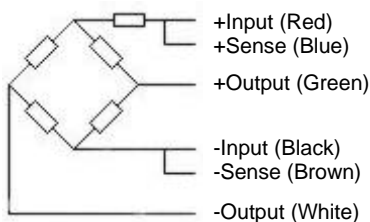
Model 3410

High Accuracy Compression Load Cells

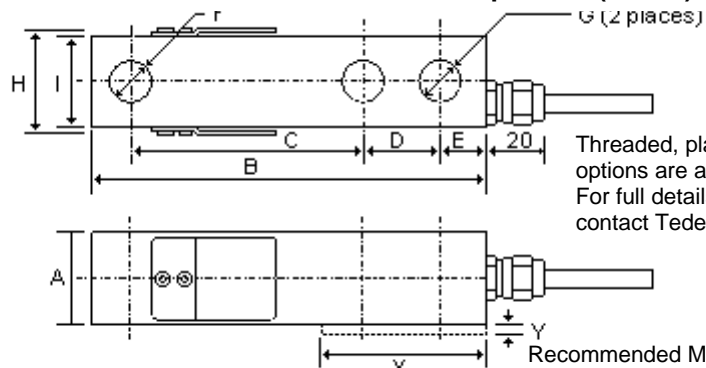
GRADE	Z	E	F	C3**	UNITS
Rated Capacities :Metric	500, 1000, 2000				kg
Rated Output	2 ± 0.10%	2 ± 0.10%			mV/V
Temperature Effect : On Zero	0.015	0.007	0.0035	0.0014*	±% of Rated Output /°C
Total Return after 30 minutes	0.070	0.050	0.0250	0.0150	±% of Applied Load
Rated Capacities :Imperial	1000, 1500, 2500, 4000				lb
Rated Output	3.0 ± 0.10%				mV/V
Temperature Effect : On Zero	0.015	0.007	0.0035	0.0023**	±% of Rated Output /°C
Zero Return after 30 minutes	0.070	0.050	0.0250	0.0170	±% of Applied Load
Total Error (According to OIML R60)	0.075	0.050	0.0300	0.0200	±% of Applied Load
Temperature Effect: On Output	0.007	0.004	0.0014	0.0012	±% of Applied Load /°C
Zero Balance	3.0		2.0		±% of Rated Output
Temperature Range: Operating	-30 to +80				°C
Temperature Range: Compensated	-10 to +40				°C
Safe Overload	150				% of Rated Capacity
Ultimate Overload	300				% of Rated Capacity
Excitation: Recommended	10				Volts AC or DC
Excitation: Maximum	15				Volts AC or DC
Input Impedance	380±10				Ohms
Output Impedance	350±3				Ohms
Insulation Impedance	>2000				Mega Ohms
Deflection at Rated Capacity	<0.4				mm
Weight: 0.5, 1 ton (1, 1.5, 2.5, 4 Klb)	0.9				kg
Weight: 2 ton	1.1				
Construction	Electrolysis Nickel Plated Steel#				
Environmental Protection	IP67				
Cable	5 Meters (kg), 3 Meters (lb), 6 Wire Polyurethane Jacket, Dual Floating Screen				
Approvals					

*Standard 30% Utilization (kg) #Stainless steel version available (lb capacities and unapproved only) **Standard 50% Utilization (lb)

Wiring Schematic Diagram



Outline Dimensions All Capacities (in mm)



CAPACITY	A	B	C	D	E	ØF	ØG	H	I	X	Y
1000, 15000, 2500, 4000 lb	30.5	130	76.2	25.4	16	Ø13.5	Ø13.5	34.0	30.5	57	4
500, 1000 kg	30.5	130	76.2	25.4	16	M12*	Ø13.5	34.0	30.5	57	4
2000 kg	36	130	76.2	25.4	16	M12*	Ø13.5	34.0	30.5	57	4

*Tapped M12X1.75 & counter bored Ø13.5X14.5 Deep