



Capacitive Sensors Series 80 - PNP

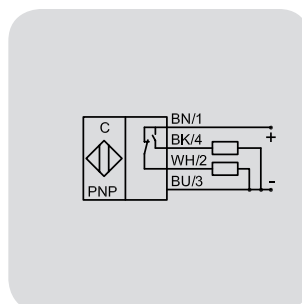
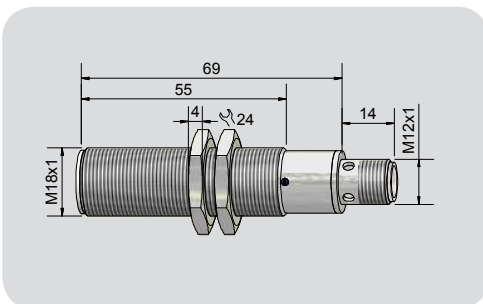
Housing M 18 x 1

- Housing material: Brass
- Sensing distance 0.5...10 mm adjustable
- With flange connector M 12 x 1



Technical data	Flush mountable
Operating distance S_n	5 mm
Operating distance min. / max. adjustable	0.5...10 mm
Electrical version	4-pin DC
Output function	Antivalent
Type PNP	KAS-80-A13-A-M18-PTFE/MS-Y5-1-HP
Art.-No.	801 981
Operating voltage (U_B)	10...35 V DC
Voltage drop max. (U_g)	≤ 2.0 V
Permitted residual ripple max.	10 %
Operating current (I_a)	2 x 0...250 mA
No-load current (I_o)	Typ. 15 mA
Frequency of operating cycles max.	300 Hz
Permitted ambient temperature	-25...+70 °C
LED-display	Yellow
Protective circuit	Built-in
Degree of protection IEC 60529	IP 67*
Norm	EN 60947-5-2
Connection	Flange connector M 12 x 1
Housing material	Brass
Active surface	PTFE (FDA 21 CFR 177.1550)
Lid	-
Media optimized	Yes
Accessories (delivered with the sensor)	2 nuts M 18 x 1
Accessories (not delivered with the sensor): For matching connectors please see our selection of accessories.	

* With sealed potentiometer screw



All specifications are subject to change without notice. (08/2018)