



# Steel Drive Couplings

OMT Series

## Features

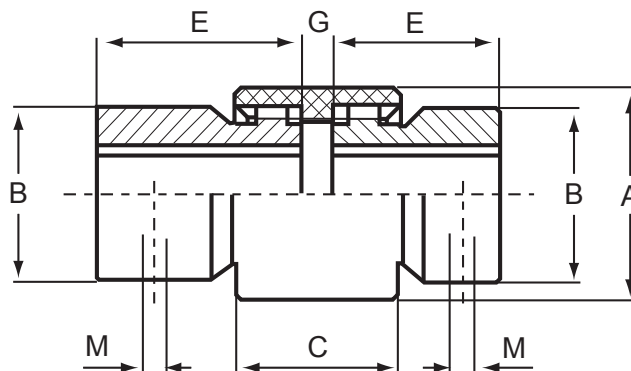
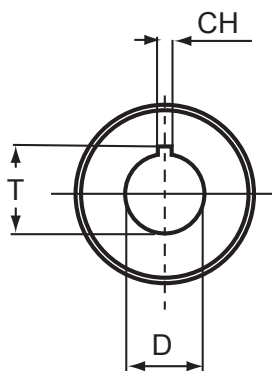


These couplings are manufactured from steel with a polyamide sleeve. This combination permits a continuous working without maintenance and favourable conditions of friction between the parts.

The steel polyamide coupling can withstand:

- Angular misalignments
- Radial misalignments
- Axial misalignments

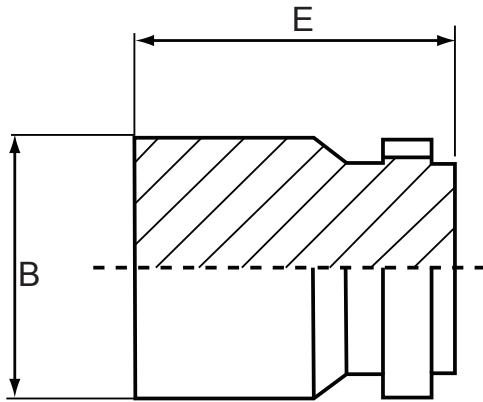
Power			Motor Half					Driven Coupling Half						Driving Ring			Grub Screw			
Motor B5-4 Pole			Code	Dimensions mm					Size	Dimensions mm						M				
Kw	Size	Hp		B	E	D	CH	T		B	E (Standard Length)			D	Type		A	C	G	
0.12 0.18	63	0.16 0.25	OMT1023C02	23	23	11	4	12.8	OMT1	23	23	30			14	POL-1	40	40	4	M6
0.25 0.37	71	0.35 0.5	OMT1030C07	23	30	14	5	16.3												
0.55 0.75	80	0.75 1	OMT2040C20	45	40	19	6	21.8	OMT2	45	33	40	50		24	POL-2	55	42	4	
1.1 1.5	90	1.5 2	OMT2050C31	45	50	24	8	27.3												
2.2 4	100 112	3.5 5	OMT3060C36	57	60	28	8	31.3	OMT3	57	30	40	60		32	POL-3	70	45	4	M8
5.5 7.5	132	7.5 10	OMT4080C47	69	80	38	10	41.3	OMT4	69	40	50	55	60	80	42	POL-4	86	48	
11 15	160	15 20	OMT5110C51	81	110	42	12	45.3	OMT5	81	60	80	110		48	POL-5	102	50	4	M10
18.5 22	180	25 30	OMT5110C54	81	110	48	14	51.8												
30	200	40	OMT6110C56	99	110	55	16	59.3	OMT6	99	62.5	80	110	140	65	POL-6	150	72	8	
30 45	225	50 60	OMT6140C57	99	140	60	18	64.4												
55	250	75	OMT6140C58	99	140	65	18	69.4												
75 90	280	100 125	OMT7140C60	124	140	75	20	79.9	OMT7	12	140	90			80	POL-7	180	93	8	
110	315S	150	OMT7140C61	124	140	80	22	85.4												





# Steel Drive Couplings

OMT Series



The steel coupling halves are also available as blanks. This version is produced without shaft drilling to allow hub machining.

Code	Dimensions mm			Code	Dimensions mm			Code	Dimensions mm		
	B	D max	E		B	D max	E		B	D max	E
OMT1023C	23	14	23	OMT4040C	69	42	40	OMT6062C	99	65	62.5
OMT1030C			30	OMT4050C			50	OMT6080C			80
OMT2033C	45	24	33	OMT4055C			55	OMT6110C			110
OMT2040C			40	OMT4060C			60	OMT6140C			140
OMT2050C			50	OMT4080C			80	OMT7090C	124	80	90
OMT3030C	46	32	30	OMT5060C			60	OMT7410C			140
OMT3040C	57		40	OMT5080C	81	48	80				
OMT3060C			60	OMT5110C			110				