

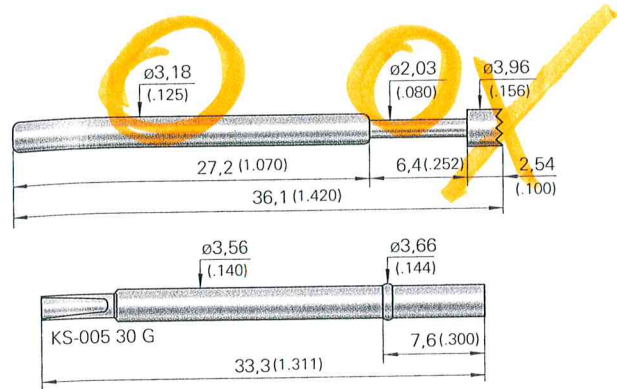
GKS 005

ICT-/FCT Test Probe

Grid:
 ≥ 4,75 mm
 ≥ 187 Mil

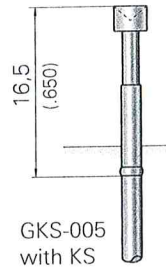
Installation Height: 16,5 mm (.650)/variable
 Recommended Stroke: 4,4 mm (.173)

Mounting and Functional Dimensions



Material	Tip Style	Plating	Further Versions
2 01		$\phi 2,03$ (.080)	A
2 03		$\phi 3,96$ (.156)	A
2 06		$\phi 3,96$ (.156)	A

Collar Height and Installation Height
 To adjust the Installation Height, Receptacles with a Press-ring (end-designation „G“) are used. The Installation Height can be variably set by assembling the Collar lower in the mounting hole.



Mechanical Data

Working Stroke: 4,4 mm (.173)
Maximum Stroke: 6,35 mm (.250)
Spring Force at Work. Stroke: 2,0 N (7.2oz)
alternative: 3,0 N (10,8oz); 5,0 N (18.1oz)

Electrical Data

Current Rating: 6 - 8 A
R_i typical: < 20 mΩ

Materials

Plunger: Steel, gold-plated
Barrel: Nickel-Silver or Bronze, gold-plated
Spring: Steel, gold-plated
Receptacle: Nickel-Silver, gold-plated

Mounting Hole Size

With Collar or Press-ring as a collar-stop in CEM 1 and FR 4: $\phi 3,53 - 3,54$ mm (.1378 - .1399)

When pressing the Press-ring into the Mounting Hole

KS-005 30 G: $\phi 3,58 - 3,63$ mm (.1409 - .1429)

Tools:
 Insertion and Extraction Tools for GKS and KS see Page 118.

Ordering Example

Series	Tip Material 2 = Steel	Tip Style	Tip Diameter (1/100 mm)	Plating A = Gold	Spring Force (dN)	Collar Height (mm)
GKS	005	206	396	A	30	00
Receptacle with Press-ring: KS-00530G						

Test Probe:

Receptacle with Press-ring:

ICT / FCT

Bead Probes

Fine Pitch

Metric Stand.

Solderable

Short-stroke

Flying Probes

DKS

SKS

PKS/PSK

RF/Dipole Test Probes

HSS

Fixture customizing

Tools

Test Probes