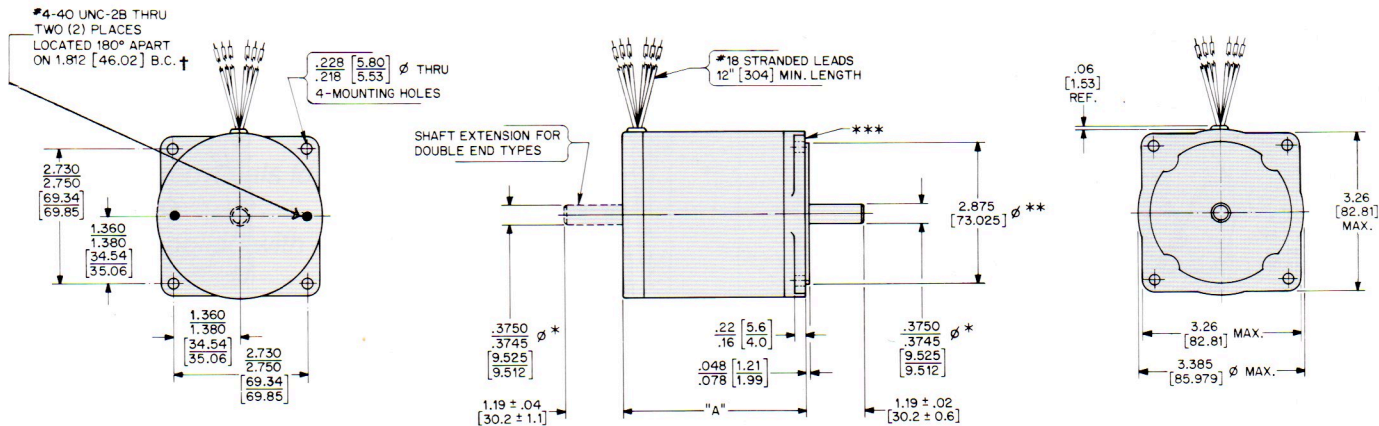


DIMENSIONS, M090 SERIES MOTORS



BASIC MOTOR TYPE	"A" MAX.	STANDARD MACHINING	OPTIONAL POST-MACHINING
MO91	2.47 [62.74]	* SHAFT RUNOUT .002 [0.051] MAX.	* SHAFT RUNOUT .001 [0.026] MAX.
MO92	3.72 [94.49]	** DIAMETER TOLERANCE ± .002 [0.051] DIAMETER CONCENTRIC TO SHAFT DIAMETER WITHIN .003 [0.077] T.I.R.	** DIAMETER TOLERANCE ± .001 [0.026] DIAMETER CONCENTRIC TO SHAFT DIAMETER WITHIN .001 [0.026] T.I.R.
MO93	5.10 [129.54]	*** SURFACE SQUARE TO SHAFT DIAMETER WITHIN .003 [0.077] T.I.R.	*** SURFACE SQUARE TO SHAFT DIAMETER WITHIN .001 [0.026] T.I.R.

NOTES:--

- 1.- All dimensions apply before painting/plating.
- 2.- Dimensions in brackets are millimeters.

† Double ended shafts only