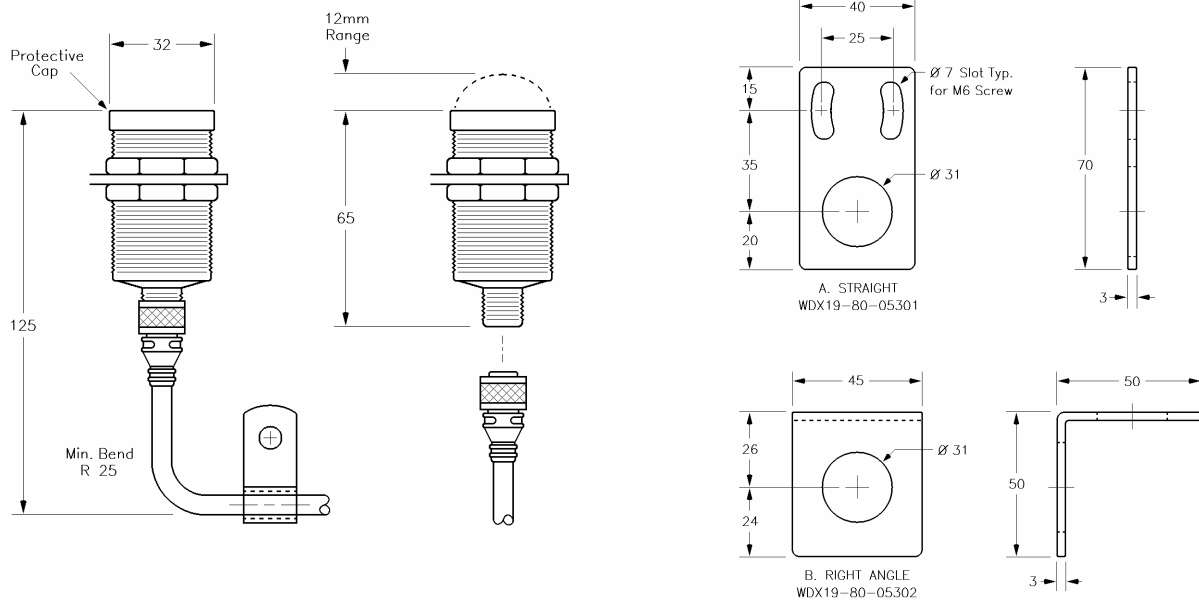


DF2T30

24VDC PROXIMITY SENSOR KIT - 30MM

**ELECTRICAL EQUIPMENT
WDX19-84M-05**



Mounting Kit	Ford Part Number
Straight	WDX19-84-053001-[L]
Right Angle	WDX16-84-053002-[L]

Application Note

Used for Part In Sensing in dies with 24VDC Electrical Distribution Block. The effective sensing range is 0-12mm. Specify straight or right angle bracket and length in meters (L = 1, 2, 3 or 4). See WDX19-84M, Page 9 for cable specification.

Det	Amt	Ordering Example	JBL Part Number
XX	1	WDX19-84-053001-[L] 24VDC PROXIMITY SENSOR KIT, 30MM STRAIGHT – [L]M CABLE	DF2T30A-[L]
XX	1	WDX16-84-053002-[L] 24VDC PROXIMITY SENSOR KIT, 30MM RT ANGLE – [L]M CABLE	DF2T30B-[L]

Part Specification

Det	Amt	Part Number	Description
A	1	WDX19-84-073077	Proximity Sensor, 30mm 4-Pin Euro PNP x 15mm Range
B	2	DIN 6796	Serrated Washer, M30
C	1	SC30	Sensor Cap, 30mm
D	1	WDX-19-80-05301	Sensor Mounting Kit, 30mm Straight (WDX19-84-053001 Only)
		WDX-19-80-05302	Sensor Mounting Kit, 30mm Rt Angle (WDX19-84-053002 Only)
E	1	WDX19-84-0901-[L]	Extension Cable, 4-Pin Euro Male - Female x [L]M Length
F	3	TC1-06	Tubing Clip, 1 x 6mm ID