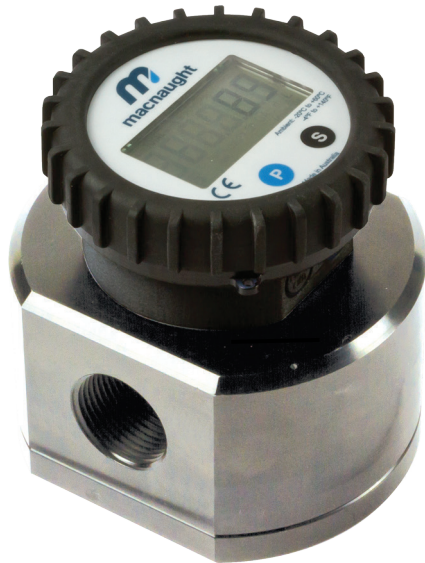


MX25 – 1" DIGITAL FLOW METERS

SUITABLE FOR FLOW RANGE 1.6-32 GPM

MX-SERIES FLOW METERS



MX25P-1SE
Stainless steel body with LCD register

Output variations:



- B - Ex approved (Ex ia)**
Intrinsically Safe - NPN
- N - Ex approved (Ex ia)**
Intrinsically Safe - NAMUR
- T - High Temp. Pulse**
Max temp- 150°C



- F - ER**
LCD Display (17mm)
- G- ERA**
LCD Display (17mm)
- H- ERB**
LCD Display (17mm)
Batch controller



- D - PR**
LCD Display (12mm)
- E - PRA**
LCD Display (12mm)
with outputs



- A - Standard Pulse**
Reel/Hall Effect
- I - Standard Pulse**
Reel/Reed Effect
- J - Standard Pulse**
Hall/Hall Effect
- K - High Resolution**
Hall NPN

The MX25 1" Digital Flow Meters are suitable for flows between 1.6-32 GPM. The 1" Digital Flow Meters have an accuracy of +/- 0.5% and provides exceptional levels of reliability and durability.

SPECIFICATIONS

	MX25F		MX25S		MX25P		
Materials of Construction Meter Body	Aluminium (6061)		Aluminium (6061)		Stainless Steel (316)		
	Rotor		Stainless Steel (316)		PPS Stainless Steel (316)		
	Seals		PTFE encapsulated (FEP)		PTFE encapsulated (FEP)		
Design Specifications Process Connections	Threaded	Flange	Threaded	Flange	Threaded	Flange	
	1" G 1" NPT	ANSI CLASS 150 DIN PN16 JIS 10k	1" G 1" NPT	ANSI CLASS 150 DIN PN16 JIS 10k	1" G 1" NPT	ANSI CLASS 150 DIN PN16 JIS 10k	
Technical Specifications	Flow rate	<5cP 10-100L/min 2.6-26USG/min	>5cP 6-120L/min 1.6-32USG/min	<5cP 10-100L/min 2.6-26USG/min	>5cP 6-120L/min 1.6-32USG/min	<5cP 10-100L/min 2.6-26USG/min	>5cP 6-120L/min 1.6-32USG/min
	Operating Temperature Range*	-40 - 80°C -40 - 176°F		-40 - 120°C -40 - 248°F		-40 - 80°C (150°C with high temp. rotors) -40 - 176°F (302°F with high temp. rotors)	
	Max. Operating Pressure**	2000 psi 138 Bar		2000 psi 138 Bar		2000 psi 138 Bar	
	Accuracy	+/- 0.5%		+/- 0.5%		+/- 0.5%	
	Repeatability	+/- 0.03%		+/- 0.03%		+/- 0.03%	
	Nominal K-Factor	136.27 Pulses/Gallon		136.27 Pulses/Gallon		136.27 Pulses/Gallon	

*Temperature based on standard pulse output - subject to change dependant on rotor and output type, contact Macnaught technical support for further investigations

** Pressure rating subject to change as per flange rating

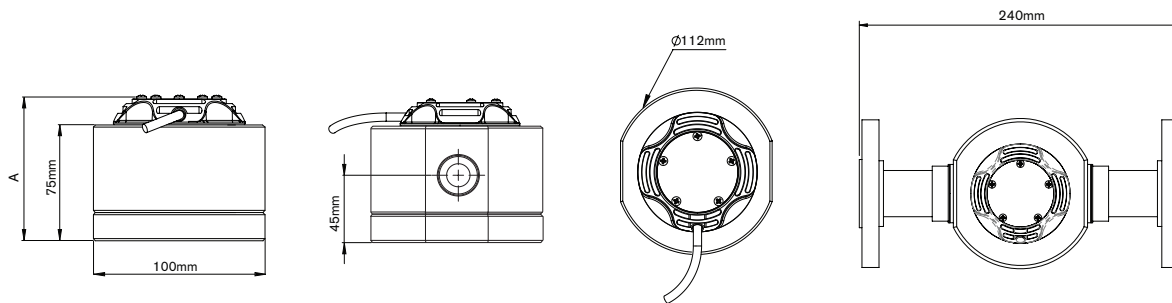
OUTPUT TYPES

	DESCRIPTION	SWITCH TYPE	OUTPUT TYPE	MX25F	MX25S	MX25P
X	No Output	-	No Output	●	●	●
A	Standard Pulse	Reed /Hall (NPN)	Pulse (1m flying lead)	●	●	●
B	Ex approved (Ex ia)	Hall (NPN)	Pulse (2m DIN cable)	—	●	●
D	PR (LCD 12mm display)	-	Display 12mm	●	●	●
E	PRA (LCD 12mm display)	-	Display 12mm, 4-20mA output, Pulse	●	●	●
F	ER (LCD 17mm display)	-	Display 17mm	●	●	●
G	ERA (LCD 17mm display)	-	Display 17mm, 4-20mA output, Pulse	●	●	●
H	ERB (LCD 17mm display)	-	Display 17mm + Batch Control	●	●	●
N	Ex Approved (Ex ia NAMUR)	NAMUR	Pulse (2m DIN cable)	—	●	●
T	High Temp. Pulse/erture	Hall (NPN)	Pulse	✗	S	S
I	Reed/Reed	Reed/Reed	Pulse (1m flying lead)	—	—	—
J	Hall/Hall	Hall/Hall	Pulse (1m flying lead)	—	—	—
K	High Resolution (omnipolar)	Hall (NPN)	Pulse (1m flying lead)	—	—	—

● Available ✗ Not Available S Only with stainless steel rotors — Consult Macnaught Technical regarding availability

MX-SERIES FLOW METERS

DIMENSIONS



PULSAR AND DISPLAY HEIGHT - A

