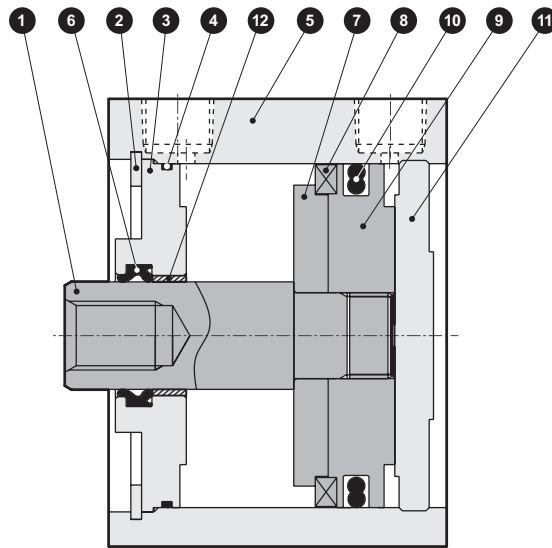
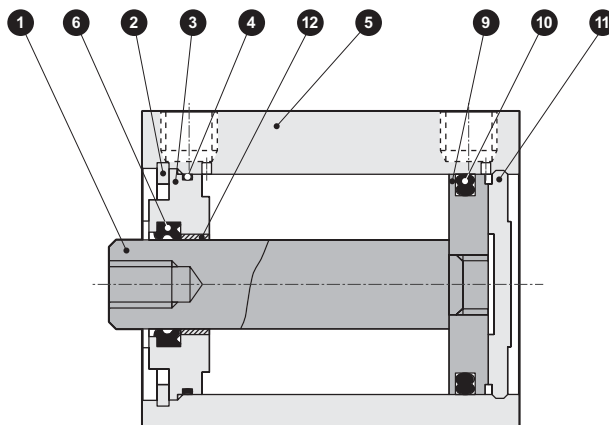


### Internal structure and parts list (ø63 to ø100) (w/o cushion)

- SSD2-L-63 to 100 (double acting/with switch)



- SSD2-63 to 100 (double acting)



No.	Parts name	Material	Remarks	No.	Parts name	Material	Remarks
1	Piston rod	Steel	Industrial chrome plating	7	Spacer	Aluminum alloy	
2	C type snap ring	Steel	Phosphoric acid zinc	8	Magnet	Plastic	
3	Rod bushing	Aluminum alloy	Chromate	9	Piston	Aluminum alloy	Chromate
4	Rod metal gasket	Nitrile rubber		10	Piston packing seal	Nitrile rubber	
5	Body	Aluminum alloy	Hard alumite	11	Guard	Aluminum alloy	Alumite
6	Rod packing seal	Nitrile rubber		12	Bush	Oilless dry met	Note 1

Note 1: Steel is used for copper and PTFE free.

### Repair parts list

Bore size (mm)	Kit No.	Repair parts number
ø63	SSD2-63K	4 6 10
ø80	SSD2-80K	
ø100	SSD2-100K	