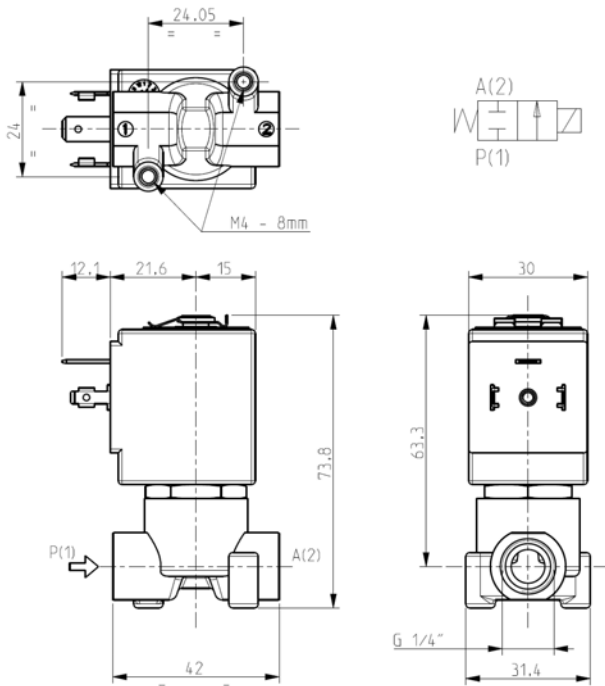




SOLENOID VALVE
2/2 - NC (Normally closed)
Direct acting
G 1/4

L121V05



► **GENERAL FEATURES**

Direct acting solenoid valve, complying with NSF standards.
 Suitable to shut off liquid and gaseous fluids (verify the compatibility of fluid with materials in contact).

► **TECHNICAL FEATURES**

Maximum allowable pressure (PS) 40 bar
 Opening time ~20ms
 Closing time ~20ms
 Fluid temperature 0°C +130°C
 Max viscosity 5°E (~37 cStokes or mm²/s)

► **MATERIALS IN CONTACT WITH FLUID**

Body Chemically nickel plated brass (Ni-P)
 Sealing FPM
 Internal components Stainless steel
 Seat Chemically nickel plated brass (Ni-P)
 Guide assembly Stainless steel
 Shading ring Copper

► **COIL**

Approval UL (class F) – for UL cl. H: ZA34
 ED 100%
 Encapsulation material PPS (Polyphenilsulfure) glass fibre reinforced
 Coil insulation class F (155°C) on request class H (180°C)
 Ambient temperature -10°C +50°C
 Electric connections DIN 46340 - 3 poles connectors (EN175301-803)
 Protection degree IP 67 (EN 60529) with plug connector
 Voltages DC 12-24V (+10% -5%)
 AC ZA10A: 24V/50Hz - 110V/50Hz (120V/60Hz) - 230V/50Hz (+10% -15%)
 (Other voltages and frequencies on request)

Port size ISO 228	Orifice size (mm)	Differential pressure (bar)				Kv (m ³ /h)	Series and type		Power absorption			Sealings	Notes	Weight (kg)	
		Δp min	Δp max				Valve	Coil	AC (VA)		DC (W)				
			Gases		Liquids				Inrush	Holding					
			AC	DC	AC										DC
G 1/4	3,2	0	12	4	12	4	L121V05	ZA10A	23	14	9	FPM	1	0,290	
			-	7	-	7		ZA10G	-	-	12		-		

► **NOTES**

- Sealings : FPM = Fluoro-carbon elastomer
- IMQ CSV approval, see ZA10 datasheet for further details
- UL approved coil (E153691)
- 1 - On request special coil ZA10X, class "F", with UL homologated windings – see overleaf.

L121V05

► COIL FOR SPECIAL VOLTAGES ZA10X

Approval UL (class F); see voltages
Continuous duty ED 100%
Encapsulation material PPS (Polyphenilsulfure) fiberglass reinforced
Coil insulation class F (155°C)
Ambient temperature -10°C +50°C

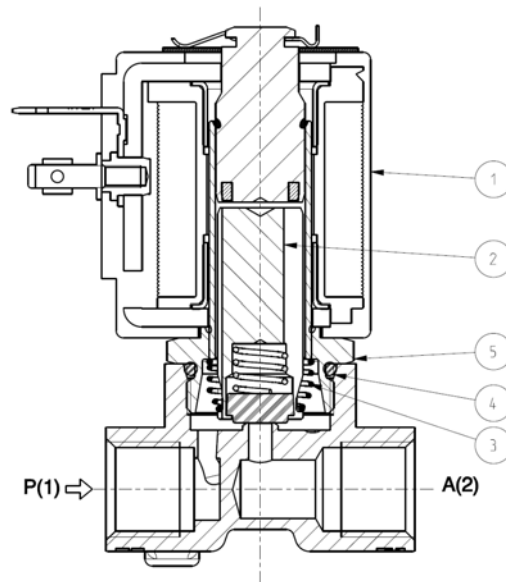
Ambient temperature DIN 46340 - 3 poles connectors (EN175301-803)
Electric connections IP 67 (EN 60529) with plug connector
Voltages AC 24V/50-60Hz (UL) ▪ 100V/50-60Hz ▪ 115-120V/60Hz ▪
 200V/50-60Hz ▪ 220-230V/50Hz - 208-240V/60Hz (UL) ▪
 220-240V/50Hz (UL) ▪ (+10% -15%)

Port size ISO 228	Orifice size (mm)	Differential pressure (bar)				Kv (m ³ /h)	Series and type		Power absorption			Sealings	Notes	Weight (kg)	
		Δp min	Δp max				Valve	Coil	AC (VA)		DC (W)				
			Gases		Liquids				Inrush	Holding					
			AC	DC	AC										DC
G 1/4	3,2	0	9	-	9	-	0,30	L121V05	ZA10X	23	14	-	FPM	-	0,300

► NOTES

- Sealings : FPM = Fluoro-carbon elastomer

► SPARE PARTS



Kit description

Core kit
 Core return spring kit
 OR guide assembly kit
 Guide pipe assembly kit

Kit P.N.

G3022803
 G3022401
 GU2424000017
 G31486
 ZA10A
 ZA10G
 ZA10X

Consisting of:

Core (with core return spring) pos. 2
 OR guide assembly pos. 4
 N.10 core return spring pos. 3
 N.10 OR guide assembly pos. 4
 Guide pipe assembly pos. 5
 Coil clip
 Coil pos.1

► MOUNTING

Solenoid valve can be mounted in any position; vertical with coil upwards preferred.