



D: 10 DIN Rail

L: 38x185mm

## IC200L & IC200D

### 2 CIRCUIT - UP TO 6 COMPRESSOR CONTROLLERS

IC200 is Dixell's answer to the necessities of the dynamic world of conditioning. This series, allows management and control of **chiller units** (with dual circuits "gas and water reversibility" and up to six compressors), **heat pumps and chillers with free cooling and with partial or total heat recovery**. By means of a compact instrument, the possibility of controlling and managing system like:

- air/air - "roof top"
- air/water
- water/water
- motor-condensing

#### PLUS

- Single circuit/compressor stand-by through key
- Forced defrosting
- Combined defrosting
- Alarm control, even in stand-by or remote off
- Pump-down function (stop and start)
- PWM/4÷20mA/0÷10V output for condensing management
- Temperature/pressure unloading function
- Screw compressor management
- Compressor rotating control (also from start/hour number)
- Direct, part-winding, star-delta compressor start
- Dynamic set point
- Start and stop by time bands (from RTC)
- Energy saving by time bands (from RTC or digital input)
- Easy programming through HOT KEY 64 or PC (PROG TOOL KIT)
- RS485 serial output with ModBUS protocol

DISPLAY ICON	MEANING
°C °F	Celsius - Fahrenheit degrees
bar PSI	Bar-PSI
1	Compressor 1
2	Compressor 2
3	Compressor 3
4	Compressor 4
5	Compressor 5
6	Compressor 6
⚠	Generic alarm
🔧	Water pump
Flow!	Flow alarm
🕒	Time/RTC
🔥	Evaporator anti-freezing heater
🌀	Condenser fan



ICON	MEANING
I	AUX relay output n°1
II	AUX relay output n°2
❄	Defrost

## COMPLETE

The **dual display** and the **16 icons** display complete information about the machine status. With a single touch of one key, all main functions of the cooling system are displayed without the need to enter programming mode.

## CONNECTIONS

All the controllers of the ICHILL series, have rapid wiring connections.



## CONTROLLED DEVICES

- 1 circuit - 1 compressor up to 4 capacity stages management
- 2 circuits - 1 compressor up to 3 capacity stages management
- 2 circuits - 6 compressor management
- Management of up to 2 evaporator section and 2 condenser section water pumps
- Management of up to 4 proportional or ON/OFF outputs 0÷10V
- 2 configurable AUX relay outputs
- Up to 2 remote keyboard management

## ALARM MANAGEMENT

The user interface provides complete visual information about the plant status and allows acknowledgement of any alarm event signals.

Each alarm has a dedicated label  
(eg. C1tr: thermal compressor 1 alarm)



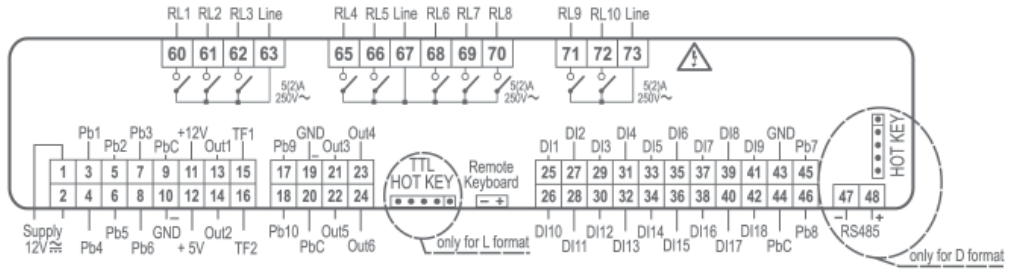
Alarm reset protects by password



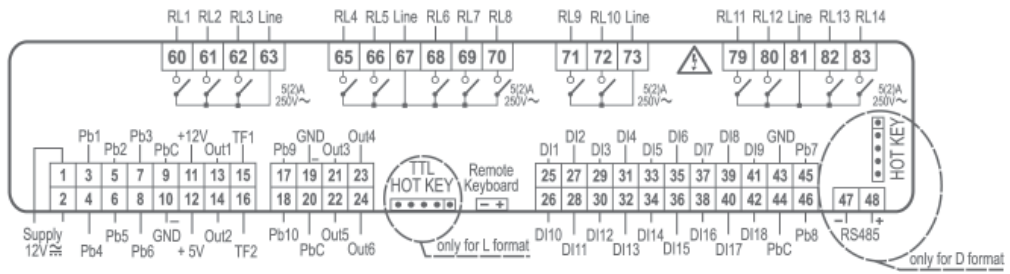
Internal data logger (up to 100 events)



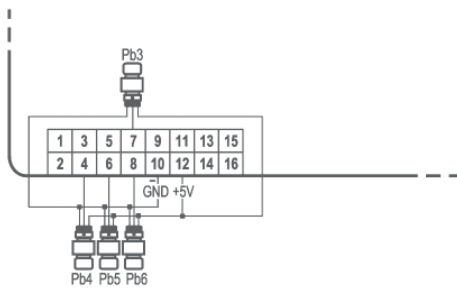
IC260L - IC280L  
IC260D - IC280D



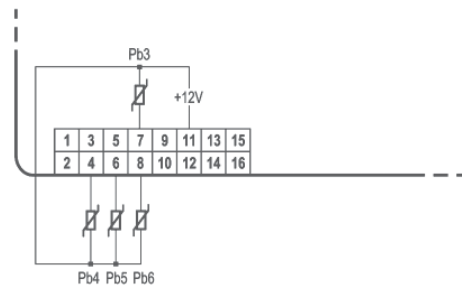
IC261L - IC281L  
IC261D - IC281D



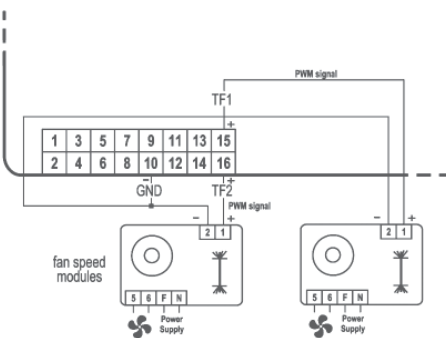
Analogue input for ratiometric pressure transducer PPR30 (0÷5V signal)



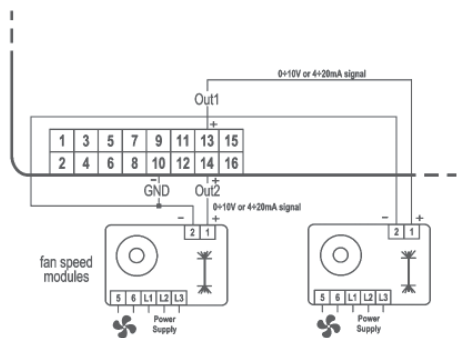
Analogue input for pressure transducer PP30 (4÷20mA signal)



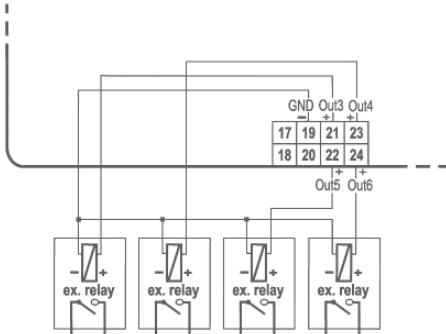
PWM output for condensing single-phase fans



0÷10V or 4÷20mA output for condensing three-phase fans



Proportional outputs configured for aux relay control



Proportional outputs configured for damper control (0÷10V)

