

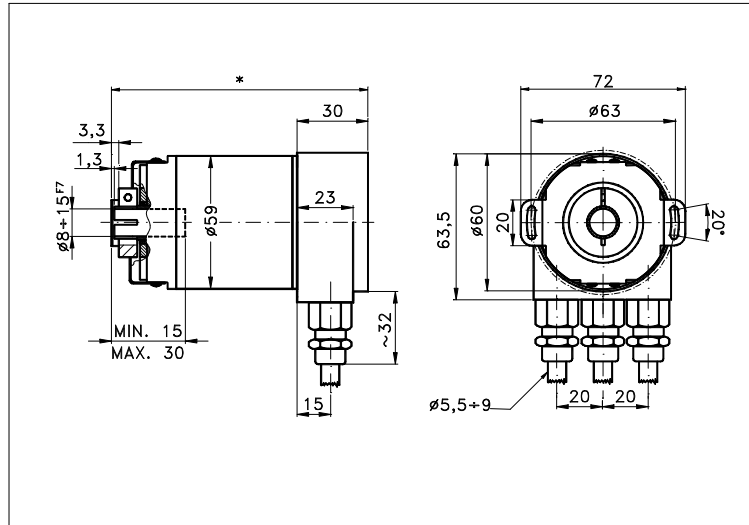
**ABSOLUTE
ENCODER
WITH FIELD BUS
959CP**

Compact and sturdy absolute encoder with hollow shaft and incorporated spring coupling. PROFIBUS-DP interface. 'Servo-mount' installation by means of claws or frontal screws. High resolution and very good quality/price ratio.

Absolute with field bus
page: 07.959CP 1/2
data sheet IB 041 E00

Measures without tolerance acc. to UNI ISO 2768-mk

Max. joint compens.: ax. ±0,1mm, rad. ±0,2mm, ang. ±1°



* 100 Singleturn, 112 Multiturn

TECHNICAL FEATURES AND POSSIBLE CONFIGURATIONS

- Outout codes.....: Binary
- Max resolut.....: 16 bit/1 rev.
: 30 bit/16384 rev.
- Pulses/rev.....: (12) 4096, (13) 8192,
(14) 16384, (15) 32768,
(16) 65536.
- No. of rev.....: 1, 4096, 16384.
:
- Power supply Vcc.....: 10÷30 VDC
- Max consumption.....: 2,5 W
- Light source.....: LED with >= 100000 h life
- Optical sensors.....: IR photodiodes array
- Step frequency LSB.....: 800 kHz
- Operating temperature..: -40 ÷ +85 °C
- Storage temperature...: -40 ÷ +85 °C
- Humidity.....: 98% (without liquid state)
- Bus connection.....: Line driver (acc. to RS485)
- Status indic. with 2 LEDs
- Accuracy of divisions..: ±½ LSB(<13bit), ±2 LSB(13÷16bit)
- Output interface.....: (DP) Profibus-DP Class2

- Connections : For the codes and the descriptions of connectors see 'ORDERING CODE' on page 2.
- Housing.....: Aluminium (*)
- Weight.....: singlet.550g ,multit. 600 g
- Shaft.....: Stainless steel
- Max radial/axial load.: 40/110 N
- IP output side.....: see 'CONNECTIONS' on page 2
- IP shaft side.....: std.64 | sealed 66
- Contin. max RPM...(**): 6000 | 3000
- Starting torque..gcm.: 50 | 90
- Impact resistance.....: 30 G (11 ms)
- Vibration resistance...: 10 G (10 ÷ 1000 Hz)
- Ball bearings life.....: >10⁵ h @ 1000 rev./m
- 400x10⁶ write cycles
- Polarity inversion protect.
- Over voltage peak protect.
- Disc made of unbreakable and durable plastic.
- EMC certific. according to EN 61000-6-2, EN 61000-6-4
- Max transmis. rate 12 MBaud
- Address progr. with selectin the junction terminal.

(*) Custom options.

(**) Intermittent max RPM + 30% of continuous max RPM.

POSSIBLE OPTIONS

CODE	DESCRIPTION	CODE	DESCRIPTION	CODE	DESCRIPTION
Q	All stainl. steel	W	Sealed ball bear.	X	Customer options



ELCIS s.r.l. Via Rosa Luxembourg 12/14 10093 COLLEGNO (TO) ITALY
Phone: +39 011 715577/78 r.a.
MAIL: ELCIS s.r.l. P.O.Box 90 10093 COLLEGNO (TO) ITALY

* <http://www.elcis.com>
* e-mail: info@elcis.com
* Fax: +39 011 712613

INTERFACE	CONNECTIONS
» (DP) Profibus-DP Class2 Programmable Parameters: Direction of rotation (complement); Resolution per revolution; Total resolution; Preset value; Output of velocity; Software Limit Switches.	» Internal/external views of the connection cap 3PG with 2 LEDs
»	
»	
»	

ORDERING INFORMATION

(00) 1(Singlet.) (12) 4096 (14) 16384	(15) Ø 15 (standard) (12) Ø 12 (10) Ø 10 (08) Ø 8 () (n) Ø n upon	(Q) All stainl. steel (X) Customer options (W) Sealed ball bear. () (0) Standard	(3PG) Connection cap IP65 (3PG-VA) Stainl. steel conn. cap IP65 (2M20) Conn. cap with 2 cables IP65 () () () () ()				
---	---	---	--	--	--	--	--

MODEL	STEP PER REVOL.	No. OF REVOL.	POSSIBLE SHAFT Ø	CODE	INTERFACE	OPTIONS	CONNECTION
959CP	12	12	15	B	DP	0	3PG
	Binary	(12) 4096, (13) 8192, (14) 16384, (15) 32768, (16) 65536.		() (B) Binary () ()	(DP) Profibus-DP Class2		

Product manufactured according to UNI EN ISO 9001:2000, supplied with CHECKING and CONFORMITY declaration with CE mark and with TWO (2) YEARS WARRANTY starting from delivery date.

COPYRIGHT by ELCIS - Collegno (TO)

	ELCIS s.r.l. Via Rosa Luxembourg 12/14 10093 COLLEGNO (TO) ITALY Phone: +39 011 715577/78 r.a. MAIL: ELCIS s.r.l. P.O.Box 90 10093 COLLEGNO (TO) ITALY	* http://www.elcis.com * e-mail: info@elcis.com * Fax: +39 011 712613
--	--	--