

Nominal data

Type	R2E175-AC77-20		
Motor	M2E068-BF		
Phase		1~	1~
Nominal voltage	VAC	230	230
Frequency	Hz	50	60
Type of data definition		rfa	rfa
Valid for approval / standard		CE	CE
Speed	min ⁻¹	2600	2900
Power input	W	55	65
Current draw	A	0.25	0.29
Motor capacitor	μF	1.5	1.5
Capacitor voltage	VDB	450	450
Min. back pressure	Pa	0	0
Max. ambient temperature	°C	50	65

ml = max. load · me = max. efficiency · rfa = running at free air · cs = customer specs · cu = customer unit
Subject to alterations

R2E175-AC77-20

AC centrifugal fan

backward curved

Technical features

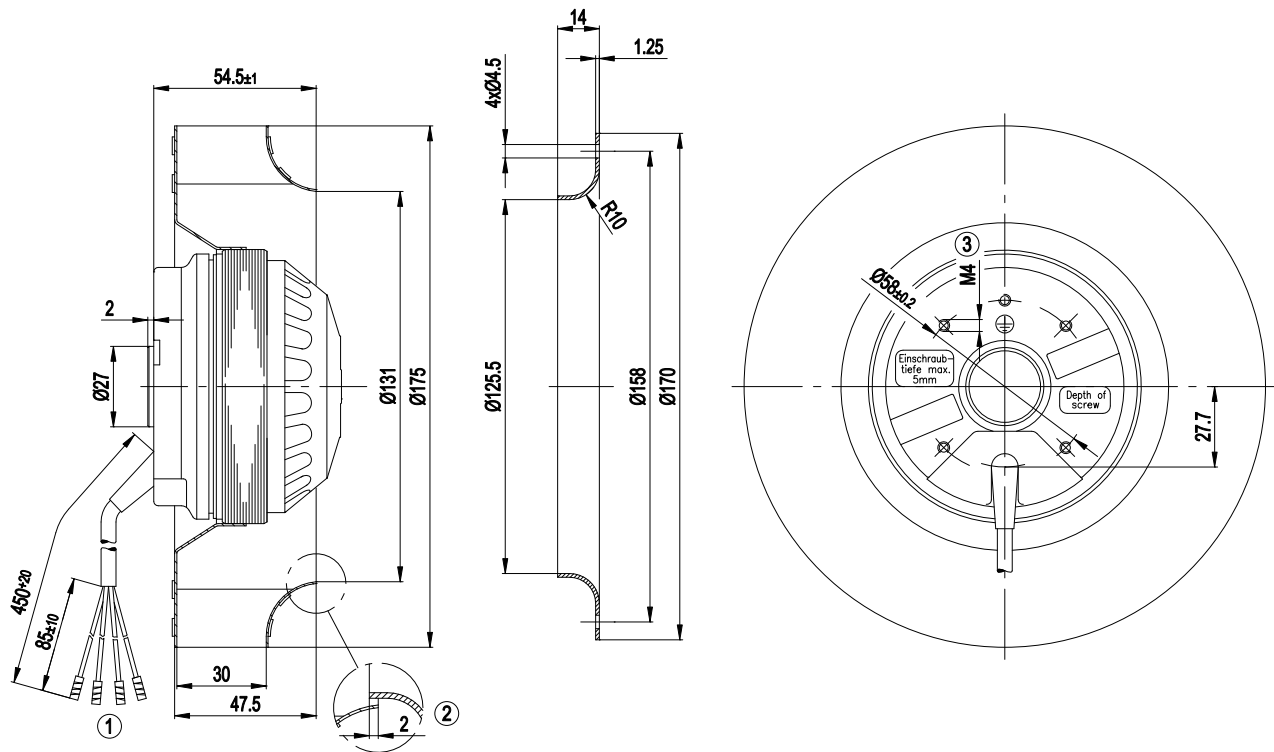
Leakage current	< 0.75 mA
Size	175 mm
Operation mode	S1
Direction of rotation	Clockwise, seen on rotor
Mounting position	Any
Humidity class	F2-2
Insulation class	"B"
Cable exit	Variable
Condensate discharge holes	None
Motor bearing	Ball bearing
Mass	1.3 kg
Material of impeller	Sheet steel, hot-dip galvanised
Motor protection	Thermal overload protector (TOP) wired internally
Product conforming to standard	CE; EN 60335-1
Surface of rotor	Coated in black
Number of blades	16
Type of protection	IP 44
Protection class	I
Max. permissible ambient motor temp. (transp./ storage)	+ 80 °C
Min. permissible ambient motor temp. (transp./storage)	- 40 °C

R2E175-AC77-20

AC centrifugal fan

backward curved

Product drawing



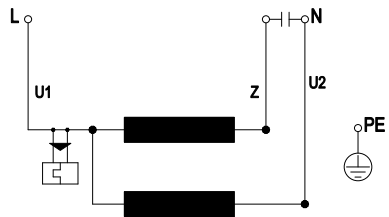
1	Connection line silicone, 4x brass lead tips crimped
2	Accessory part: Inlet nozzle 09576-2-4013, not included in the standard scope of delivery
3	Depth of screw max. 5 mm

R2E175-AC77-20

AC centrifugal fan

backward curved

Connection screen



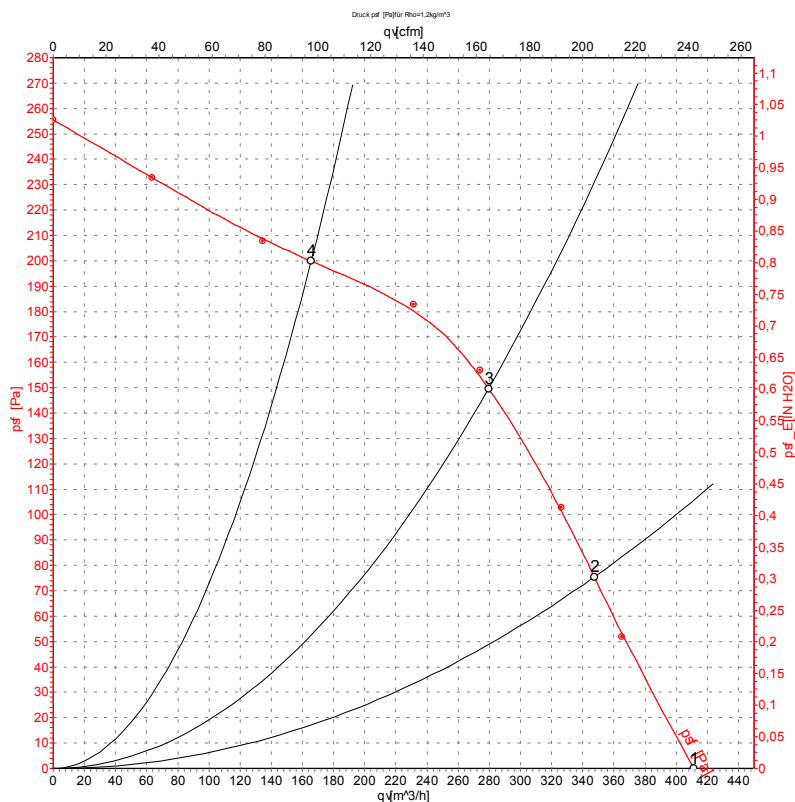
U1	blue	Z	brown	U2	black
PE	green/yellow				

R2E175-AC77-20

AC centrifugal fan

backward curved

Charts: Air flow 50 Hz



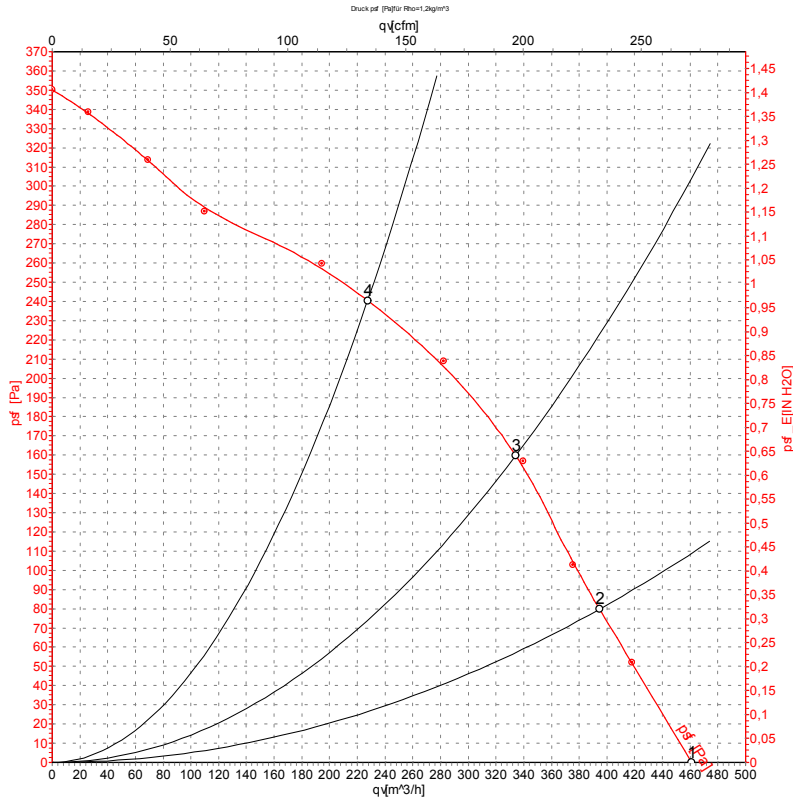
Measurement: LU-4742

Air performance measured as per ISO 5801 Installation Category A. For detailed information on the measuring set-up, please contact ebm-papst. Suction-side noise levels: LwA measured as per ISO 13347 / LpA measured with 1m distance to fan axis. The values given are valid under the measuring conditions mentioned above and may vary according to the actual installation situation. With any deviation from the standard set-up, the specific values have to be checked and reviewed with the unit installed.

Measured values

	U	f	n	P _e	I	qv	P _{st}
	V	Hz	min ⁻¹	W	A	m³/h	Pa
1	230	50	2600	55	0.25	410	0
2	230	50	2580	57	0.27	345	75
3	230	50	2570	58	0.27	280	150
4	230	50	2625	56	0.27	165	200

Charts: Air flow 60 Hz



Measurement: LU-4739

Air performance measured as per ISO 5801 Installation Category A. For detailed information on the measuring set-up, please contact ebm-papst. Suction-side noise levels: L_{wA} measured as per ISO 13347 / L_{pA} measured with 1m distance to fan axis. The values given are valid under the measuring conditions mentioned above and may vary according to the actual installation situation. With any deviation from the standard set-up, the specific values have to be checked and reviewed with the unit installed.

Measured values

	U	f	n	P _e	I	qv	P _{st}
	V	Hz	min ⁻¹	W	A	m ³ /h	Pa
1	230	60	2900	65	0.29	460	0
2	230	60	2875	69	0.30	395	80
3	230	60	2855	69	0.30	335	160
4	230	60	2900	68	0.29	230	240