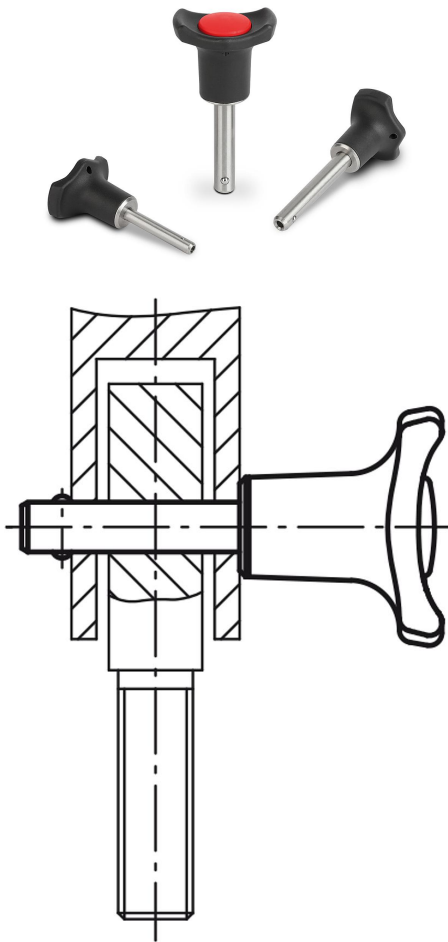


## Item description/product images



## Description

**Material, version:**

Black thermoplastic grip.  
Red thermoplastic push button.  
Steel parts stainless steel, bright.

**Note:**

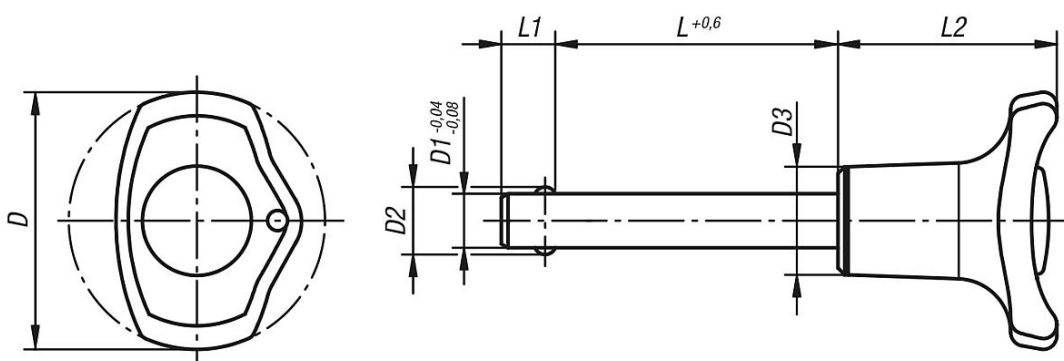
Ball locking pins are used for fast and easy fastening and joining of parts and workpieces.  
The two balls can be disengaged by depressing the push button so that the parts to be joined can be pegged. When the push button is released, the balls lock the connection safely and permanently.

Shearing force, double shear (F) = S · Tau aB max.

**Accessory:**

Restraining cables with eye 30-27...  
Keyring 30-27-1/-2/-3

## Drawings



## Overview of items

Order No.	D	D1	D2	D3	L	L1	L2	Receiving hole H11	Shearing force double shear max.kN
30-70-1	38	5	5,5	16	10	6	32,5	5	15
30-70-2	38	5	5,5	16	15	6	32,5	5	15
30-70-3	38	5	5,5	16	20	6	32,5	5	15
30-70-4	38	5	5,5	16	25	6	32,5	5	15
30-70-5	38	5	5,5	16	30	6	32,5	5	15

## Overview of items

Order No.	D	D1	D2	D3	L	L1	L2	Receiving hole H11	Shearing force double shear max.kN
30-70-6	38	6	6,85	16	10	7	32,5	6	22
30-70-7	38	6	6,85	16	15	7	32,5	6	22
30-70-8	38	6	6,85	16	20	7	32,5	6	22
30-70-9	38	6	6,85	16	25	7	32,5	6	22
30-70-10	38	6	6,85	16	30	7	32,5	6	22
30-70-11	38	6	6,85	16	35	7	32,5	6	22
30-70-12	38	6	6,85	16	40	7	32,5	6	22
30-70-13	38	6	6,85	16	45	7	32,5	6	22
30-70-14	38	6	6,85	16	50	7	32,5	6	22
30-70-15	38	8	9,5	16	20	8	32,5	8	38
30-70-16	38	8	9,5	16	25	8	32,5	8	38
30-70-17	38	8	9,5	16	30	8	32,5	8	38
30-70-18	38	8	9,5	16	35	8	32,5	8	38
30-70-19	38	8	9,5	16	40	8	32,5	8	38
30-70-20	38	8	9,5	16	45	8	32,5	8	38
30-70-21	38	8	9,5	16	50	8	32,5	8	38
30-70-22	47	10	12	23	20	9	40	10	60
30-70-23	47	10	12	23	25	9	40	10	60
30-70-24	47	10	12	23	30	9	40	10	60
30-70-25	47	10	12	23	35	9	40	10	60
30-70-26	47	10	12	23	40	9	40	10	60
30-70-27	47	10	12	23	45	9	40	10	60
30-70-28	47	10	12	23	50	9	40	10	60
30-70-29	47	10	12	23	60	9	40	10	60
30-70-30	47	12	14,5	23	25	10	40	12	86
30-70-31	47	12	14,5	23	30	10	40	12	86
30-70-32	47	12	14,5	23	35	10	40	12	86
30-70-33	47	12	14,5	23	40	10	40	12	86
30-70-34	47	12	14,5	23	45	10	40	12	86
30-70-35	47	12	14,5	23	50	10	40	12	86
30-70-36	47	12	14,5	23	60	10	40	12	86
30-70-37	47	12	14,5	23	70	10	40	12	86
30-70-38	47	12	14,5	23	80	10	40	12	86
30-70-39	47	16	19	23	30	13	40	16	153
30-70-40	47	16	19	23	35	13	40	16	153
30-70-41	47	16	19	23	40	13	40	16	153
30-70-42	47	16	19	23	45	13	40	16	153
30-70-43	47	16	19	23	50	13	40	16	153
30-70-44	47	16	19	23	60	13	40	16	153
30-70-45	47	16	19	23	70	13	40	16	153
30-70-46	47	16	19	23	80	13	40	16	153