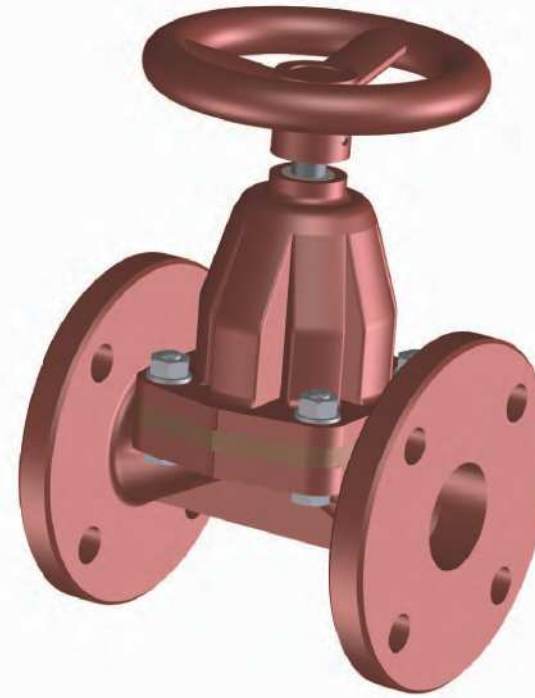
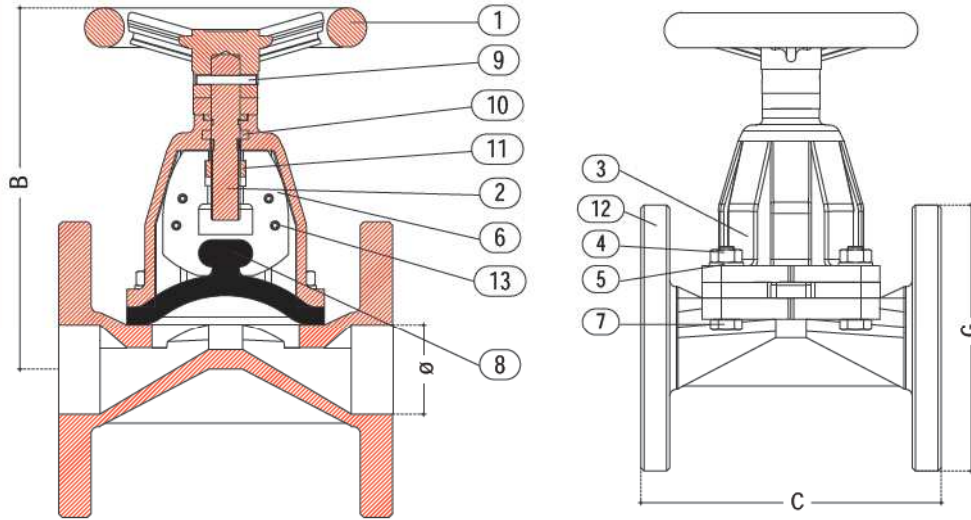


Model GS51 HW

DIAPHRAGM VALVES



DETAILS	
1	CONTROL WHEEL
2	LEAD SCREW
3	COVER
4	HEXAGON NUT
5	WASHER
6	PLUG
7	STUD BOLT
8	DIAPHRAGM
9	SOCKET
10	GASKET
11	BRONZE NUT
12	VALVE BODY
13	CLAMPING SCREW FOR BUSHING

PRESSURE DETAILS UNI_1284					
DN	P.N.	HYDRAULIC TEST kg/cm ²		WORKING PRESSURE kg/cm ²	
		OPEN	CLOSE		
15	14	15	14	13	
20	14	15	14	13	
25	14	15	14	13	
30	13	15	13	12	
40	12,5	15	12,5	11,5	
50	12,5	15	12,5	11,5	
60	11	15	11	10	
75	10,5	15	10,5	9,5	
100	10,5	15	10,5	9,5	
125	9	13	9	8	
150	8,7	13	8,7	7,7	
200	7	13	7	6	
250	6	8	6	6	
300	6	8	6	6	

NOTE: for different pressure details please ask the DPT

WEIGHT KG		
C.I.	C.I.	
	unlined	ebonite lined
2,300	2,400	
3,800	3,900	
4,000	4,100	
6,600	6,700	
8,000	8,300	
12,000	12,400	
17,000	17,600	
23,000	24,000	
36,500	38,000	
56,000	57,700	
76,500	76,200	
144,000	142,000	
225,000	226,000	
330,000	350,000	

Ø	DIMENSIONS C.I. UNLINED			
	B	C	G (UNI)	G (ASA)
15	87,5	108	95	90
20	112,5	117	105	98
25	117,5	127	115	108
30	135	146	140	118
40	170	159	150	127
50	187,5	190	165	152
60	232,5	217	185	178
75	260	254	200	190
100	315	305	220	229
125	400	356	250	254
150	442,5	406	285	280
200	585	520	340	343
250	655	635	395	406
300	718	749	445	483

Ø	DIMENSIONS C.I. EBONITE LINED			
	B	C	G (UNI)	G (ASA)
15	92,5	114	95	90
20	117,5	123	105	98
25	122,5	133	115	108
30	140	152	140	118
40	175	165	150	127
50	192,5	196	165	152
60	237,5	227	185	178
75	265	260	200	190
100	320	313	220	229
125	405	364	250	254
150	447,5	414	285	280
200	590	530	340	343
250	660	645	395	406
300	723	759	445	483