



PROBE FOR TOOL CHECK ON LATHES AND MACHINING CENTRES

The T18 is a compact touch probe for tool checking applications on NC lathes and machining centers. It can be used for:

- tool breakage detection, preventing possible damages to the part and the machine and consequent breakdowns in production
- tool offset determination, saving setup time and eliminating the need for off-machine tool presetting
- tool wear compensation, optimizing the tool lifetime

Technical specifications	release for	
	lathe	m/c
Probe axes with straight stylus	±X, ±Z	
Unidirectional repeatability (2σ) <i>at speed up to 600 mm/min</i>	1 μm	
Trigger force on XZ plane	1,5 N	
Overtravel on axis	X = 5,5 mm Z = 5,5 mm	X/Y = 5,5 mm Z = 5,2 mm
Cable length	8 m	
Protection degree <i>IEC standards</i>	IP 67	

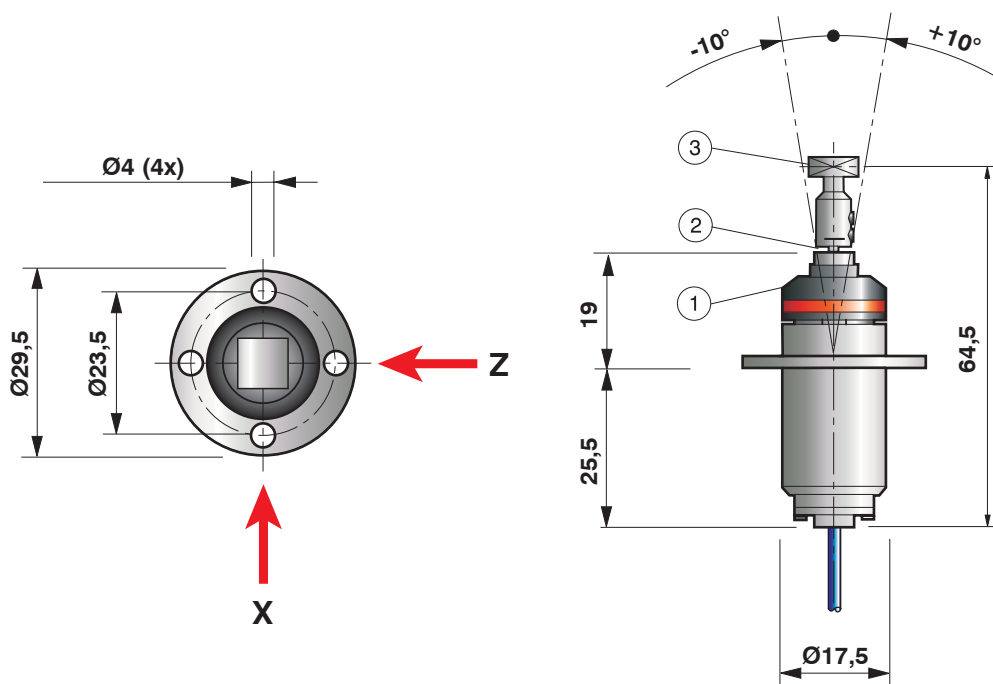
Above characteristics refer to a 20 mm straight stylus

Features

- Excellent repeatability
- Cycle time reduction
- Insensitivity to machine vibrations
- High protection against coolant
- High reliability

Probe for tool presetting on lathes

Application with T18 probe on lathe - example

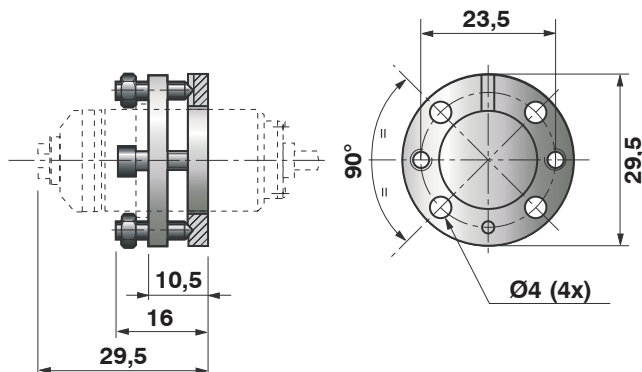


The probe is usually mounted on a removable arm, either manual or automatic.

	Description	Code
1	T18 probe	3419825010
2	Crash protection pin	1019825075
3	Straight stylus	tip 10x10x4 3191982502
		tip 20x20x4 3191927855

Accessories

Adjustable holder for lathes

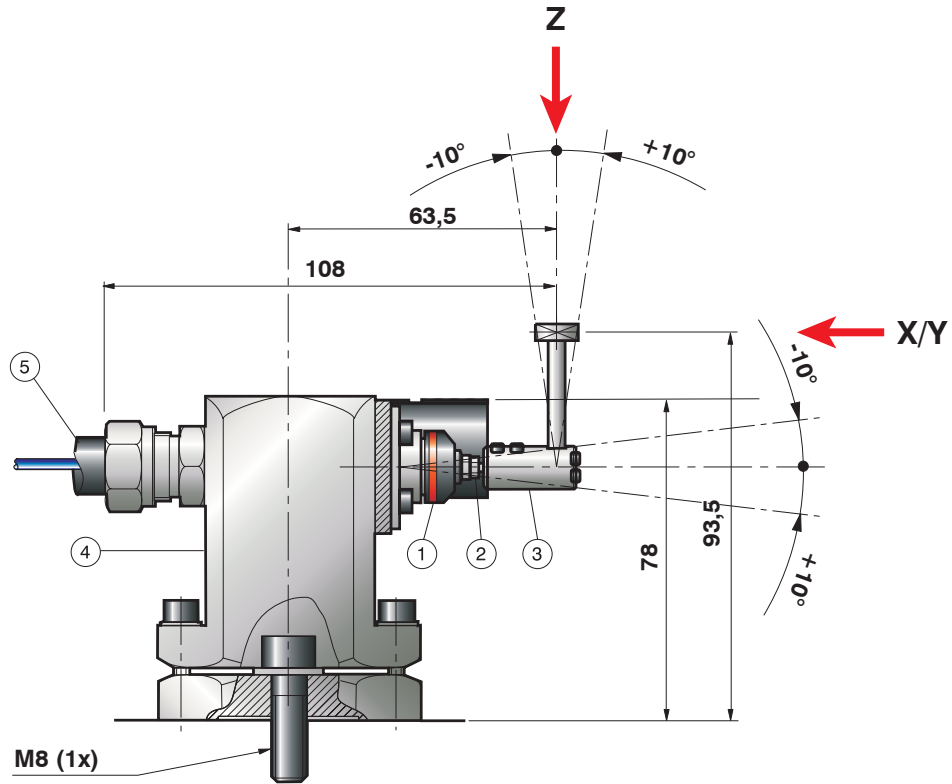


The holder is fastened to the machine by means of the four fixing screws. By acting on two couples of screws, it is possible to pivot the holder and allow the probe adjustment.

Code	2919825040
------	------------

Probe for tool presetting on machining center

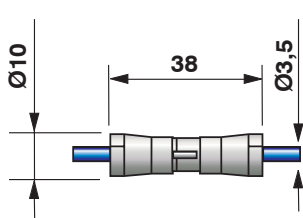
Application with T18 probe on machining center - example



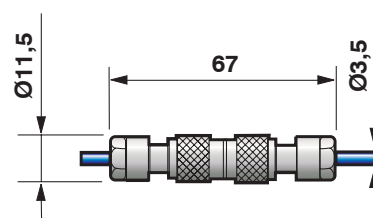
The probe is usually fixed to a holder, on the machine table beside the working area.

Descrizione		Codice
1	T18 probe	3419825010
2	Crash protection pin	1019825075
3	Cranked stylus	tip 10x10x4 3191982506
		tip Ø15x3 3191982508
4	Adjustable holder	2919825020
5	Cable flexible protective sheath	4152606101

Connectors



IP40



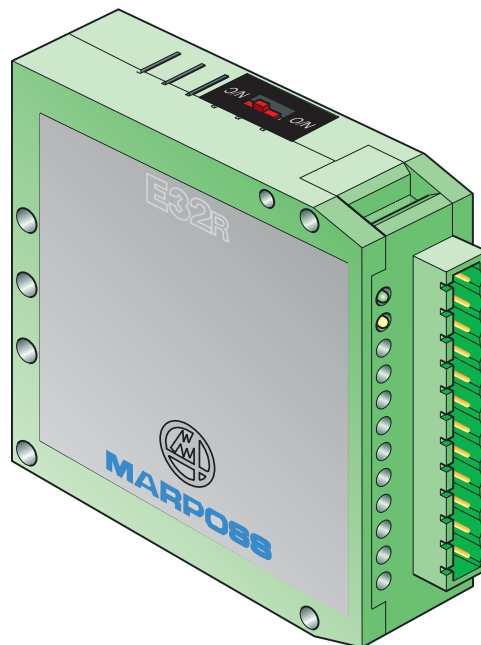
IP65

IP40	male	4140Q03100
	female	4140Q03300
IP65	male	6872010001
	female	6872010002

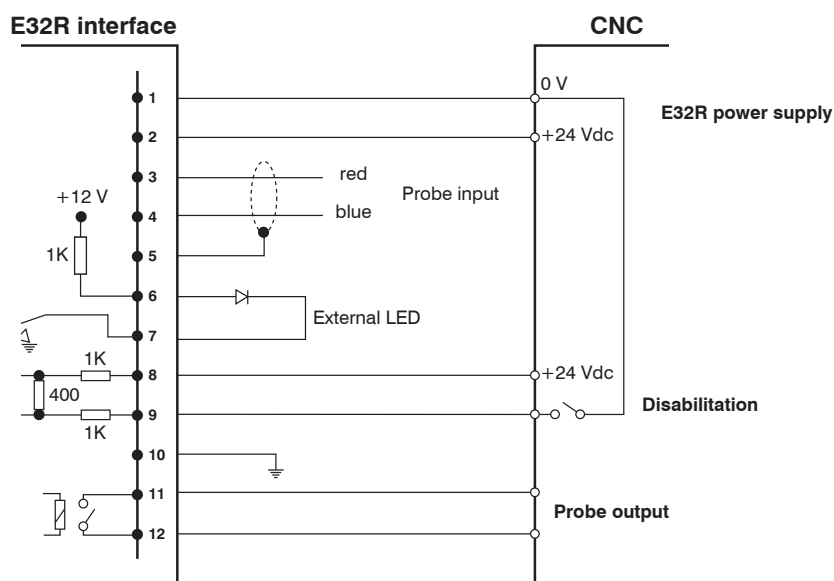
E32R electronic interface

Technical specifications

Power supply	24 Vdc not stabilized
Absorption	50 mA max
Response time to touch	35 μ s \pm 10 μ s
Probe signal	solid state relais \pm 50 V peak \pm 40 mA peak
External LED	nominal current 10 mA
Programmability	NO / NC
Protection degree (IEC standards)	IP 20



Wiring diagram



MARPOSS
www.marposs.com

For a full list of address locations, please consult the Marposs official website

D6C00902G0 - Edition 11/2005 - Specifications are subject to modifications
© Copyright 2005 MARPOSS S.p.A. (Italy) - All rights reserved.

MARPOSS, ® and Marposs product names/signs mentioned or shown herein are registered trademarks or trademarks of Marposs in the United States and other countries. The rights, if any, of third parties on trademarks or registered trademarks mentioned in the present publication are acknowledged to the respective owners.

Marposs has an integrated system to manage the Company quality, the environment and safety, attested by ISO 9001, ISO 14001 and OHSAS 18001 certifications. Marposs has further been qualified EAQF 94 and has obtained the Q1-Award.

