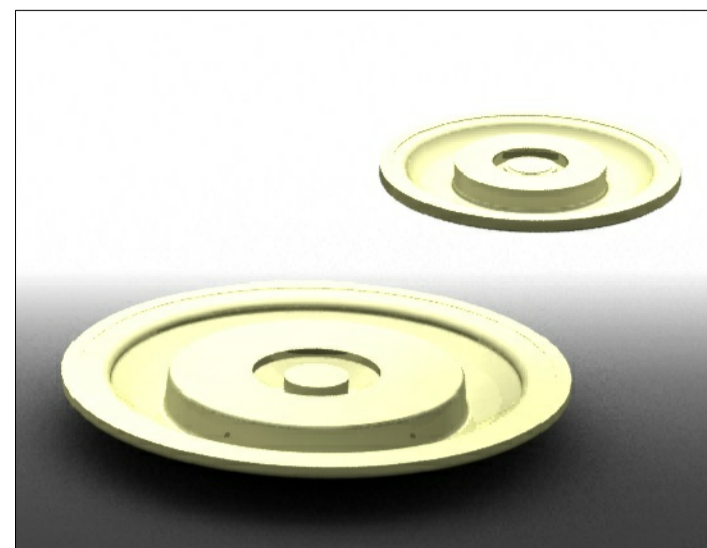


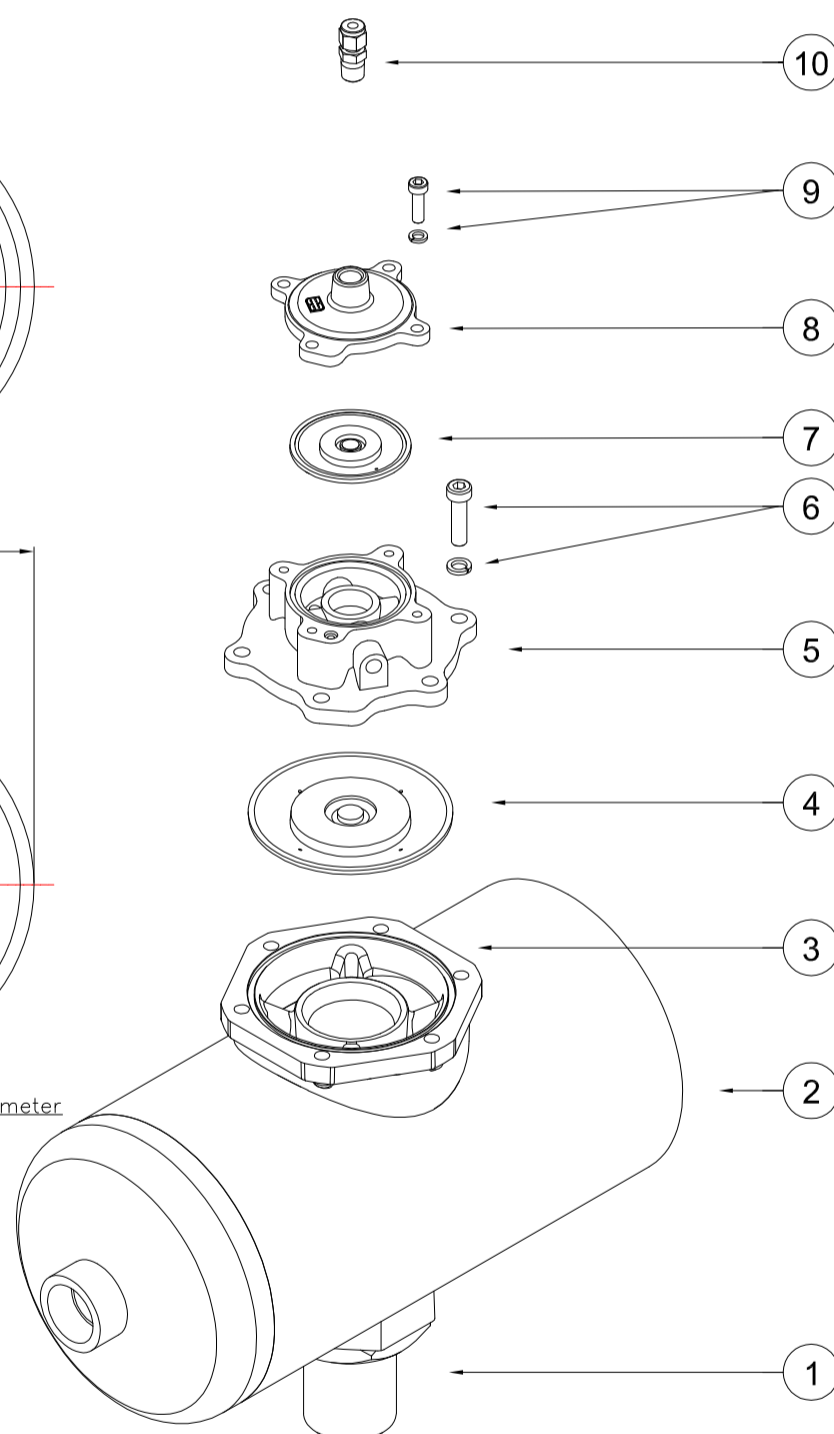
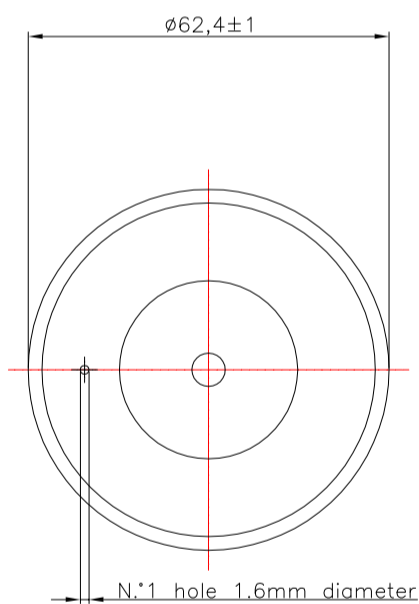
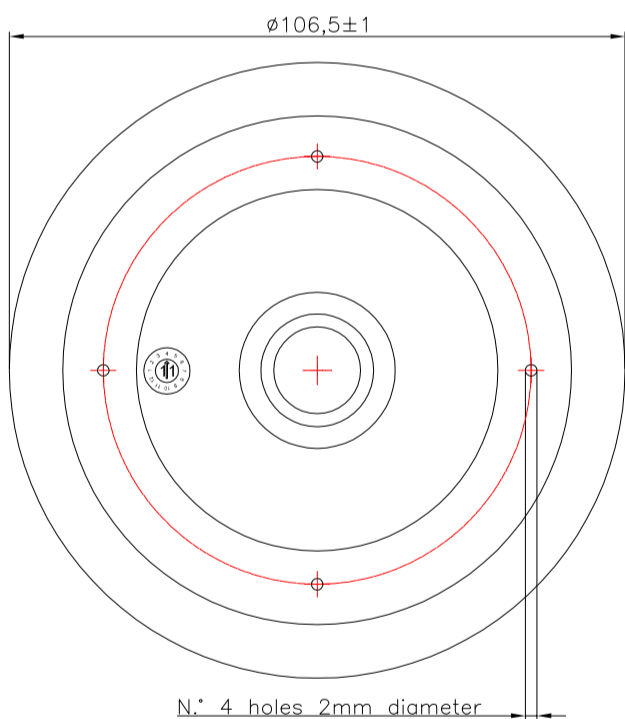
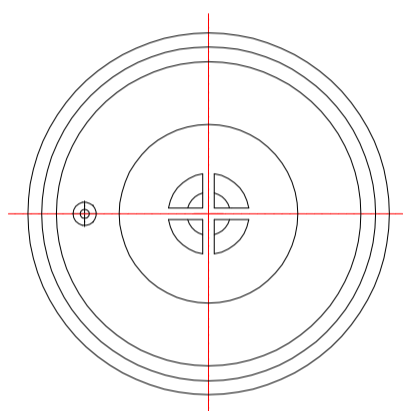
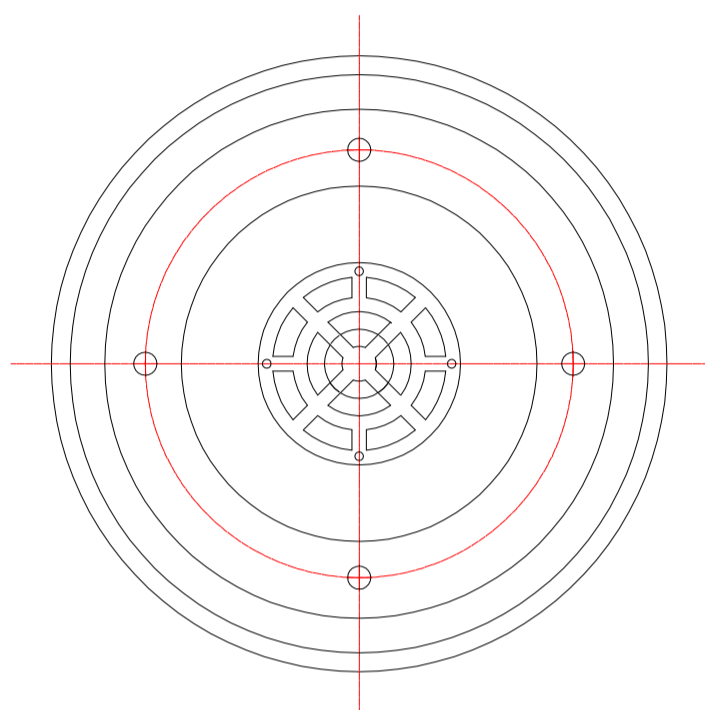
DIAPHRAGM CHARACTERISTICS

PARAMETERS	VALUES	NOTE
WORKING PRESSURE	Max 8 Bar	
ENVIRONMENT TEMPERATURE (T)	- 40°C + 100°C	CARBON STEEL GALVANIZED
AIR QUALITY CLASSES In according to ISO 8573-1	SOLID	2
		4
	WATER	3
	OIL	1
		For T > +3°C For -20°C < T < +3°C For -40°C < T < -20°C



Pos.4

Pos.7



HOW TO REPLACE THE DIAPHRAGM KIT:

Remove the cap (Pos.5 or Pos.8) unscrewing the six (Pos.6) screws,(four for the small one(Pos.9))
 remove the old diaphragm (Pos.4 or Pos.7)
 Before to replace the diaphragms, clean carefully the seats.
 Place the new one and check that is placed in the right position.
 Replace the cap and retighten all screws.(check the tightening torque tab)

Pos.N°	Screw	tightening torque	Max tightening torque
6	M8	20-22 Nm 2-2,2 Kgm	26
9	M6	14-16 Nm 1.4-1.6 Kgm	20