

# SAFETY LIGHT CURTAINS

## JANUS M - MI 1204

Built-in Muting function. Dedicated connections for connecting external Muting sensors of any type. Built-in override function.



### Certifications:



### Technical data:

Family	JANUS M -
Code	1360381
Safety level (SIL / PL)	Type 4 - SIL 3 - SILCL 3 - PL e - Cat. 4
Detection	Hand
Overall height transmitter (mm)	1336
Height of protected area (mm)	1210
Resolution (mm)	40
Number of beams	40
Power supply (VDC)	24 +/- 20%
Max. length of the connection cables (m)	100
Operating Range (m)	6 or 16 selectable
Connections	5 poles M12 connector (emitter), 19 poles M23 connector (receiver), 5 poles M12 connector (muting sensors)
Response time (ms)	21
Light curtain status and weak signal	PNP - 100 mA at 24 VDC
Safety outputs	2 fail-safe PNP - 500 mA at 24 VDC with protection against short circuit, overload and reverse polarity
Safety functions Start / Restart and EDM	Built-in
Muting Function	Built-in
Muting sensors	with relay or PNP DARK-ON output
Restart	User-selectable automatic
Muting logic	Two-way with 2 or 4 sensors, one-way with 2 sensors
Max. override time-out	15 min
Max. muting time-out	30 sec. or 90 min. selectable - 30 sec. or infinite models with 4 sensors
Blanking function	No
CCF (ISO 13849-1)	80%
MTTFd (ISO 13849-1) years	100
PFHd (IEC 61508)	1,32E-08
Degree of protection	IP 65
Operating temperature (°C)	From -10 to 55
Cross section dimensions (mm)	50 x 60

Overall height (mm)	1376
Master Slave Models	no
Protective enclosures	no
Packaging dimensions WxHxL (mm)	195x135x1430
Gross weight (Kg)	9,8

#### Accessories:

[CABLES CD 5](#)  
[CABLES CD 10](#)  
[CABLES CD 15](#)  
[CABLES CD 20](#)  
[CABLES CD 25](#)  
[CABLES CD 50](#)  
[CABLES CJBE 25](#)  
[CABLES CJ 95](#)  
[CABLES CJM 9](#)  
[CABLES CJ 3](#)  
[CABLES CJ 5](#)  
[CABLES CJ 10](#)  
[CABLES CJ 15](#)  
[CABLES CJ 20](#)  
[CABLES CJ 20L2](#)  
[CABLES CJ 30](#)  
[CABLES CJ 30L2](#)  
[CABLES CJ 35](#)  
[CABLES CJM 23](#)  
[CABLES CJBE 3](#)  
[CABLES CJBE 5](#)  
[CABLES CJBE 10](#)  
[CABLES CDM 9](#)  
[CABLES CJBR 3](#)  
[CABLES CJBR 5](#)  
[CABLES CJBR 10](#)  
[FMC B1700 FLOOR SUPPORT COLUMN](#)  
[FMC S1700 COLUMN WITH MIRROR](#)  
[FMC B1700R FLOOR SUPPORT COLUMN](#)  
[MJBOX MJB 1 Connection box](#)  
[MJBOX MJB 3 Connection box](#)  
[LASER ALIGNEMENT LAD 3](#)  
[ACCESSORIES BRAKETS SFB 4J](#)  
[ACCESSORIES SP 1200 S - DEFLECTION MIRROR](#)

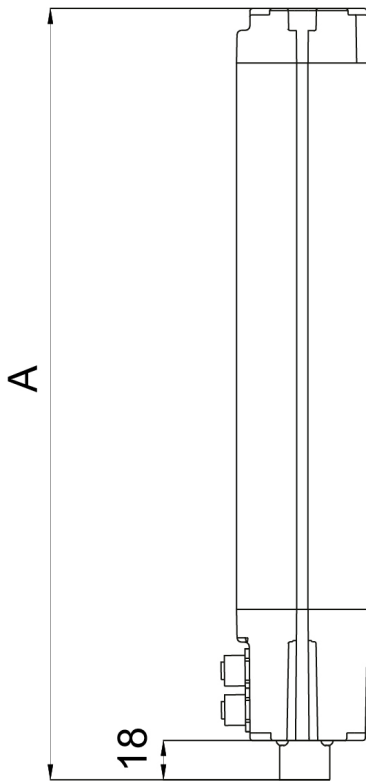
#### Related products:

[JANUS ACCESSORIES SL](#)  
[JANUS ACCESSORIES S2L](#)  
[JANUS ACCESSORIES S2L V](#)  
[MOSAIC MR2](#)  
[Safety relay modules for devices with integrated feedback input for EDM - AD SR0](#)  
[Safety relay modules for devices with integrated feedback input for EDM - AD SR0A](#)

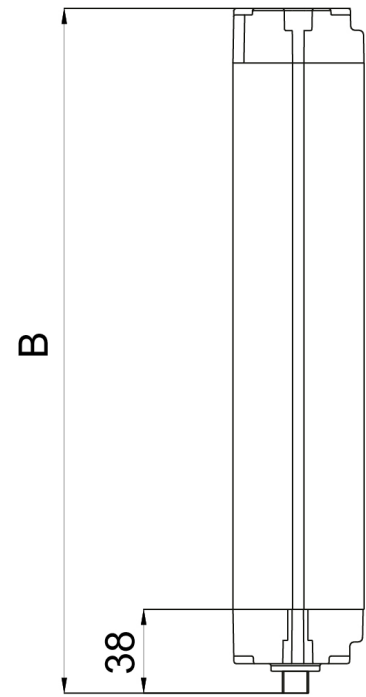
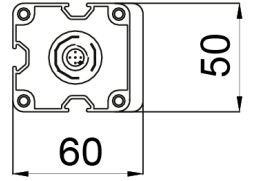
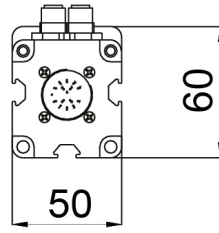
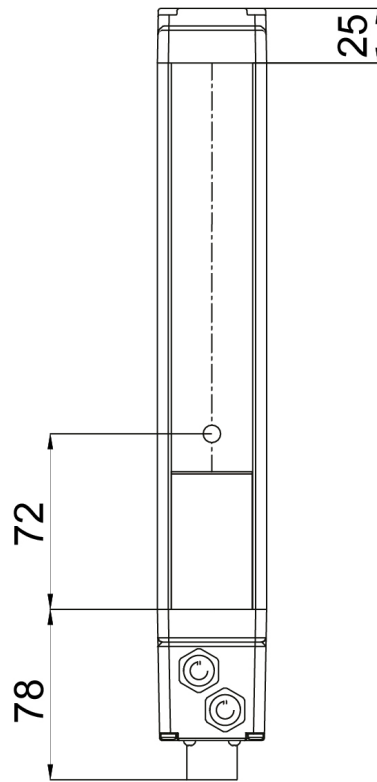
See technical drawing in the next page.

Technical drawing:

B = 1336 mm  
A = 1376 mm



RX



TX