

Model: MX12P-1TA



1/2" Oval gear flow meter designed for a broad range of Industrial Process applications.

- Stainless Steel construction
- Teflon® (PTFE) encapsulated seals
- Max flow rate 30 LPM / 8 GPM
- Temperatures up to 150°C
- Accuracy +/- 0.5%
- Available with BSP or NPT Process connections
- Suitable for high viscosity fluids

Select a Flowmeter

Step 1.Size

12 (1/2")

Step 2.Family

P series -INDUSTRIAL

Step 3.Process Connection

1 - BSP (Rp)

Step 4.Rotor Type

T - High Temp

Step 5.Pulsar

A - Pulse Output- Reed/Hall Effect

Process Connection

Port Size	1/2"
Connection Type	BSP (Rp)

Material of Construction

Body	316SS
Rotor	316SS
Bushing	Carbon
Seal	FEP (Teflon®)

Technical Specifications

Flow Range	<5cps	>5cps
	3 - 25 LPM	2 - 30 LPM
	0.8 - 6.6 GPM	0.5 - 8 GPM
Max Pressure	13790 kPa	2000 psi
Temperature	-40 - 120°C	-40 - 248°F
K-Factor	Refer to Flowmeter Data Plate	
Accuracy	+/- 0.5%	
Repeatability	+/- 0.03%	

Service Kits

	Part Number	Description
Rotor Kit	MXS-12P-HTrotor	Rotor set and O-ring
Seal Kit	MXS-12P-seal	Meter Cap O-Ring - FEP (Teflon®)

Accessories

SS Y Strainer	YS012-01
Air Eliminator/Strainer	N/A
Wall Mount Adaptor	MXA-12-WM
3 point cal check	MXA-3ptcal
Pressure test	MXA- PRESSTEST

PULSER OUTPUT

TYPE: A



Standard Switch

The Standard Pulser Module provides 1x Reed and 1 x Hall Effect (NPN open collector) switch outputs. The module is supplied with 1 mtr of cable.

Construction

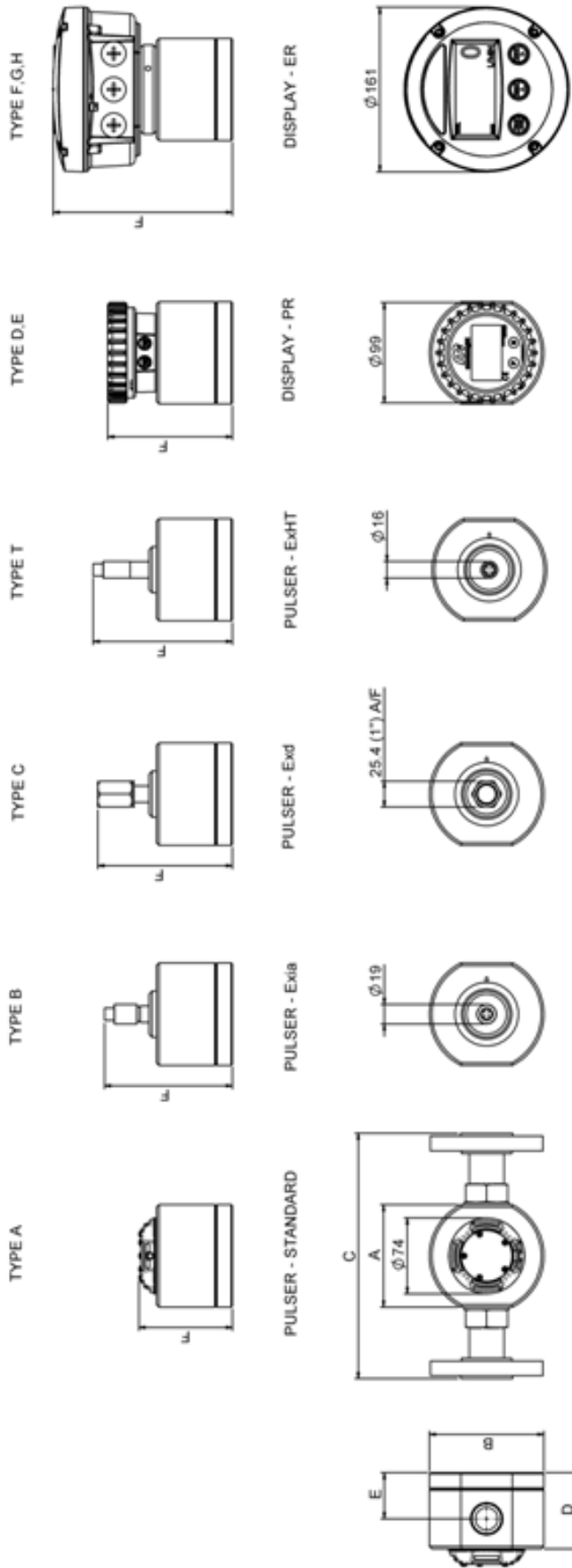
Material	Polypropylene	
IP Rating	67	
Mounting	Meter Mount	
Connection	5/8-18 UNF	
Dimensions	Height (mm)	Diameter (mm)
	17 mm	74 mm

Technical Specifications

Switch Type	Pulse Output- Reed/Hall Effect	
Approvals	No approvals	
	-	-
Power Supply	Voltage (VDC)	Current (mA)
	Reed	500 mA
	Hall	7.5mA

Service Kits

Part Number	Description
MXD-AS	MX Standard Pulser



METER SIZE	PORT SIZE	METER AND FLANGE DIMENSIONS										PULSER AND DISPLAY HEIGHT - F							
		A	B	C	D	E	TYPE A	TYPE B	TYPE C	TYPE T	TYPE D,E	TYPE F,G,H	TYPE C	TYPE T	TYPE D,E	TYPE F,G,H			
MX06	1/4"	71	74	N/A	42	25	59	93	100	104	90	143	100	104	90	143			
MX09	1/4"	71	74	N/A	42	24	59	93	100	104	90	143	100	104	90	143			
MX12	1/2"	81	87	N/A	49	28	66	100	107	111	97	150	107	111	97	150			
MX19	3/4"	100	112	N/A	62	37	79	113	120	124	110	163	120	124	110	163			
MX25	1"	100	112	240	75	45	92	126	133	137	123	176	133	137	123	176			
MX40	1 1/2"	120	137	240	103	61	120	154	161	165	151	204	161	165	151	204			
MX50	2"	140	163	264	124	72	141	175	182	186	172	225	182	186	172	225			