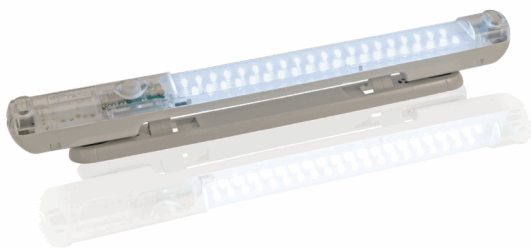


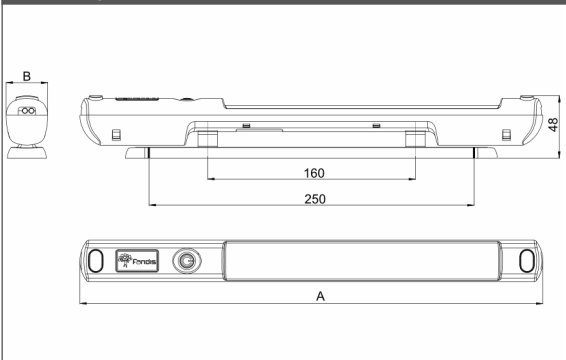
"FLL" LED LAMP

Description: **Led Lamp**



Housing material:	PC Plastic UL94 V0
Type of cover:	transparent
Appliance class:	class II
Electrical connection:	2-poles cage clamp terminal for wire range 20~14AWG (0.5mm ² ~1.5mm ²)
Operating voltage range:	85-132Va.c.(FLL-120 series);173-265Va.c.(FLL-230 series);85-265Va.c.(FLL-300 series)
Storage temperature:	from -40°C to +85°C
Operating temperature:	from -30°C to +60°C
Protection degree:	IP20
Life:	160,000 h at 25 °C
Switch:	manual ON/OFF or PIR sensor
Angle of radiation PIR:	120°
Auto switch off:	60 s (only PIR version)
Installation:	2 x M5 screws or magnet pots fastening
Certifications:	CE; UL E237844 (UL 508 and CSA C22.2 No. 14)

Drawing



Model	Rated Voltage	Frequency	Watt	Dimensions (mm)		No. of Led	Color Temp.	Lum. Flux	Weight
	(V)	(Hz)	(W)	A	B		K	lm	
FLL-120565U-IR	115 V a.c.	50/60	5.0	356	32	40	7,100	315	0,170
FLL-120565U-IRM	115 V a.c.	50/60	5.0	356	32	40	7,100	315	0,180
FLL-120565U-S	115 V a.c.	50/60	5.0	356	32	40	7,100	315	0,170
FLL-120565U-SM	115 V a.c.	50/60	5.0	356	32	40	7,100	315	0,180
FLL-230565U-IR	230 V a.c.	50/60	5.0	356	32	40	7,100	315	0,170
FLL-230565U-IRM	230 V a.c.	50/60	5.0	356	32	40	7,100	315	0,180
FLL-230565U-S	230 V a.c.	50/60	5.0	356	32	40	7,100	315	0,170
FLL-230565U-SM	230 V a.c.	50/60	5.0	356	32	40	7,100	315	0,180
FLL-300565U-IR	115-230V a.c.	50/60	5.0	356	32	40	7,100	315	0,170
FLL-300565U-IRM	115-230V a.c.	50/60	5.0	356	32	40	7,100	315	0,180
FLL-300565U-S	115-230V a.c.	50/60	5.0	356	32	40	7,100	315	0,170
FLL-300565U-SM	115-230V a.c.	50/60	5.0	356	32	40	7,100	315	0,180

IR = PIR Sensor, S = ON/OFF Switch, M = Magnet fixing