

# PRODUCT INFORMATION PACKET

Model No: 5KH36MNA445X

Catalog No: H684

Carbonator Pump Motor, 0.50 HP, 1 Ph, 60 Hz, 100-120/200-240 V, 1800 RPM, 48Y Frame, DP



Regal and Marathon are trademarks of Regal Rexnord Corporation or one of its affiliated companies.  
©2022 Regal Rexnord Corporation, All Rights Reserved. MC017097E

### Nameplate Specifications

Output HP	<b>0.50 Hp</b>	Output KW	<b>0.37 kW</b>
Frequency	<b>60 Hz</b>	Voltage	<b>100-120/200-240 V</b>
Current	<b>7.1-7.2,3.4-3.6 A</b>	Speed	<b>1725/1425 rpm</b>
Service Factor	<b>1</b>	Phase	<b>1</b>
Efficiency	<b>63.3 %</b>	Power Factor	<b>0</b>
Duty	<b>Continuous</b>	Insulation Class	<b>B</b>
KVA Code	<b>N</b>	Frame	<b>48Y</b>
Enclosure	<b>Drip Proof</b>	Thermal Protection	<b>Automatic</b>
Ambient Temperature	<b>40 °C</b>	Drive End Bearing Size	<b>6203</b>
Opp Drive End Bearing Size	<b>6203</b>	UL	<b>Recognized</b>
CSA	<b>Yes</b>	CE	<b>N</b>
Number of Speeds	<b>1</b>		

### Technical Specifications

Electrical Type	<b>Split Phase</b>	Starting Method	<b>SM</b>
Poles	<b>4</b>	Rotation	<b>Counterclockwise/Clockwise</b>
Mounting	<b>Resilient Base</b>	Motor Orientation	<b>ANY</b>
Drive End Bearing	<b>BALL</b>	Opp Drive End Bearing	<b>Ball</b>
Frame Material	<b>Rolled Steel</b>	Overall Length	<b>8.75 in</b>
Frame Length	<b>6.22 in</b>	Shaft Diameter	<b>0.630 in</b>
Shaft Extension	<b>0.17 in</b>		
Outline Drawing	<b>52A109312P4</b>	Connection Drawing	<b>52A105383AA</b>

This is an uncontrolled document once printed or downloaded and is subject to change without notice. Date Created:11/28/2022

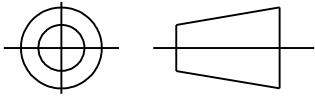
SHEET

REV

52A109312 6

SIZE DRAWING NO. A

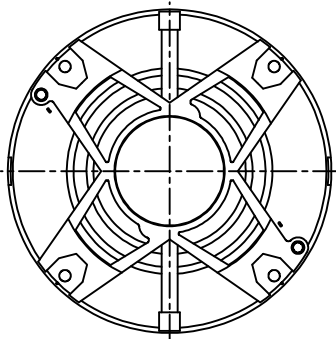
THIRD ANGLE PROJECTION



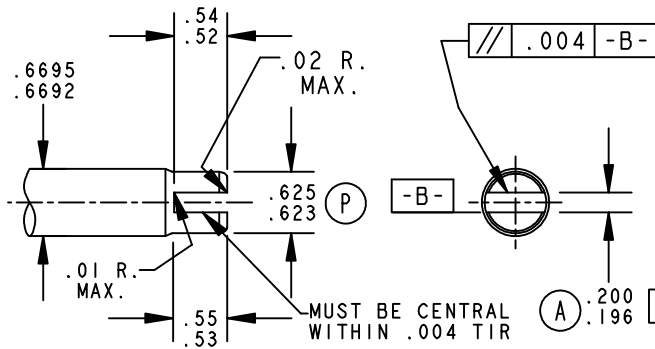
REVISIONS

REV.	DESCRIPTION	DATE	APPROVED
6	CHG M DIMN AS PER IS08-3461	08/21/08	BALA

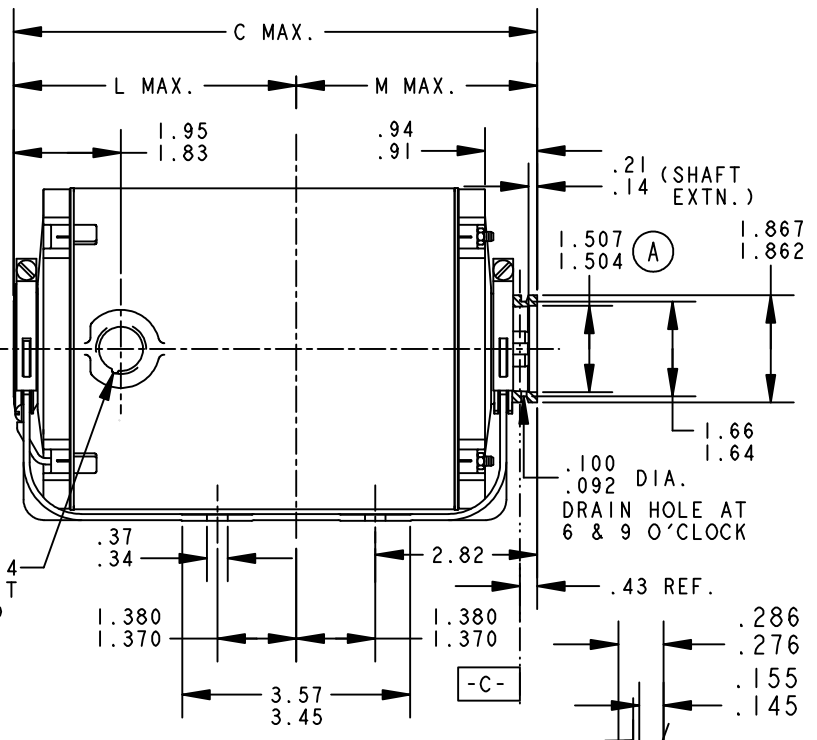
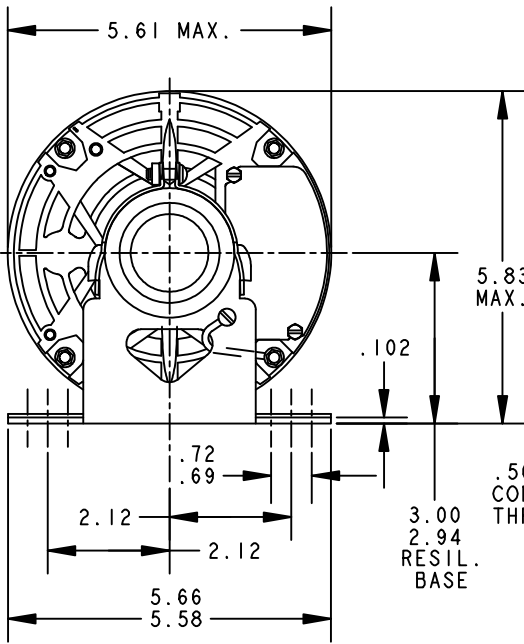
CONTROL SURFACES & DIMENSIONS  
 (P) PROC.  
 (E) ENG.  
 (A) APPL.  
 (R) REG.



VIEW SHOWING P.E. VENTILATION OPENINGS



MUST BE CENTRAL WITHIN .004 TIR  
 (A) .200 .196  
 (A) .004 -A- -C- (A)



6	KH	38	48Y	9.75	5.60	4.97
5	KH	37	48Y	9.15	5.01	4.28
4	KH	36	48Y	8.75	4.61	4.28
3	KH	35	48Y	8.32	4.18	4.28
2	KH	33	48Y	7.94	3.80	4.28
1	KH	32	48Y	7.69	3.55	4.28
P	TYPE	GE SIZE	NEMA FR	C	L	M

SIGNATURES		DATE
MODEL	MA MARKS	08/18/93
DETAIL	.	.
CHECKED	.	.
ENGRG	.	.
MFG	.	.
QUALITY	.	.
ISSUED	M.A.M.	08/18/93



REGAL-BELOIT CORPORATION

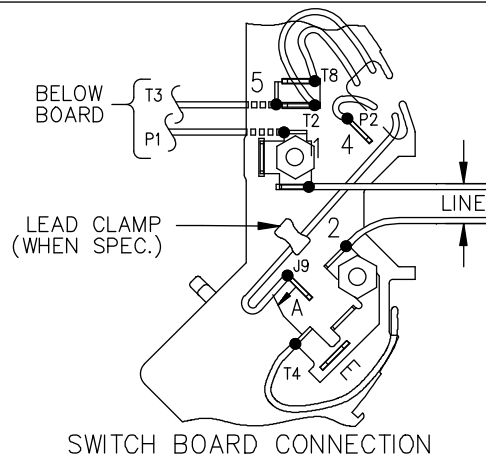
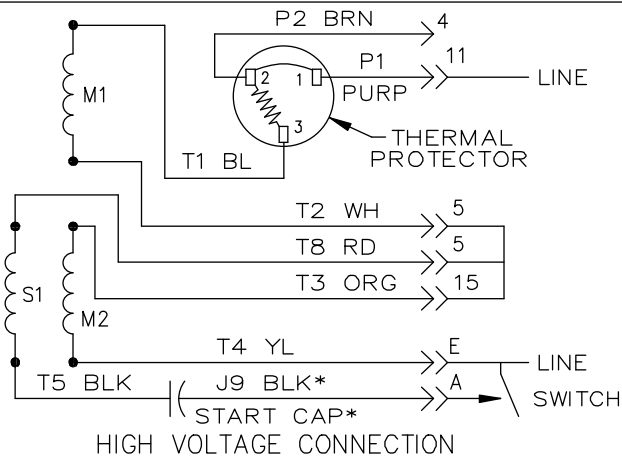
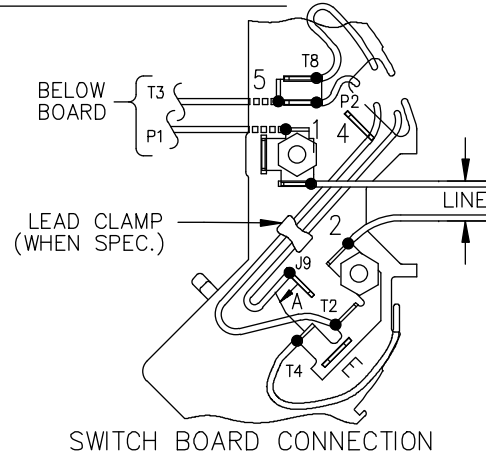
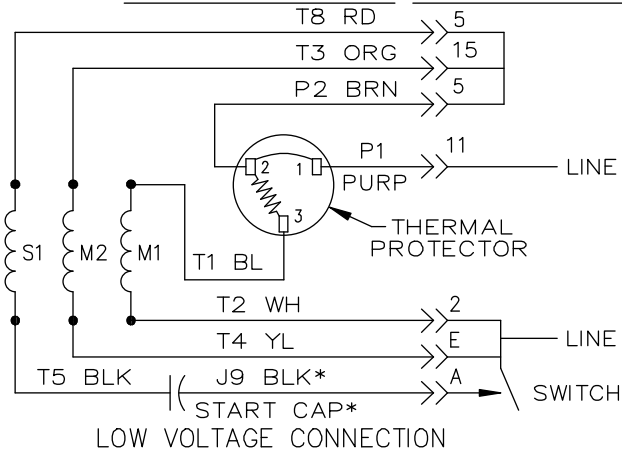
TITLE  
**OUTLINE**  
**CARBONATOR PUMP - DRIP PROOF -**  
**RESIL. BASE - BALL BRG. FMF: 5KH36MN445X**

FOR ADDITIONAL INFO REFER TO:  
 APPLIED PRACTICES  
 DIMENSIONS ARE IN INCHES  
 MATERIAL

SOLID MODEL: 52A109312

SIZE DRAWING  
 A  
**52A109312**  
 SCALE: 0.313 REF. No: . SHEET 1 of 1

EITHER ROTATION, DUAL VOLTAGE, TYPE KC OR KH, WITH THERMAL PROTECTION



NOTE #1 - START CAP & J9 WHEN SPECIFIED (\*). IF NO CAPACITOR (KH), CONNECT T5 DIRECTLY TO SWITCH (A). WHEN MORE THAN ONE CAPACITOR IS USED, CONNECT IN PARALLEL.

NOTE #2 - TO REVERSE ROTATION, INTER CHANGE RD(T8) AND BLK(J9-KC OR T5-KH) LEADS.

SWITCH REF. - 115D958AB	CONNECTION LABEL	CCW ROTATION: NP52X332051AA
		CW ROTATION: NP52X332051AC

NO.	REVISION	BY & DATE	CHK	TOLERANCES UNLESS SPECIFIED		FINISH	DRAWN M.D.P 06/29/87		
				DEC.	INCHES				
				.X	±0.1	<b>REGAL-BELOIT CORPORATION</b> TITLE CONNECTION DIAGRAM 30 FRAME SWITCH REDESIGN	CHK		
				.XX	±0.02		APPD M.D.P 03/26/96		
5	ADDED CONNECTION LABEL PER ECO-0030779	UD 02/06/13	PKG	.XXX	±0.005	MAT'L.	SCALE 1=1		
4	UPDATED PER ISO7-0150	MD 01/23/07		.XXXX	±0.0005		REF		
				ANG	±1.0	PREV			
THIS DRAWING IN DESIGN AND DETAIL IS OUR PROPERTY AND MUST NOT BE USED EXCEPT IN CONNECTION WITH OUR WORK. ALL RIGHTS OF DESIGN AND INVENTION ARE RESERVED. THIS IS AN ELECTRONICALLY GENERATED DOCUMENT - DO NOT SCALE THIS PRINT				RFP	CAD FILE	52A105383AA	SIZE	DRAWING NO.	REV.
				DIST			A	52A105383AA	5