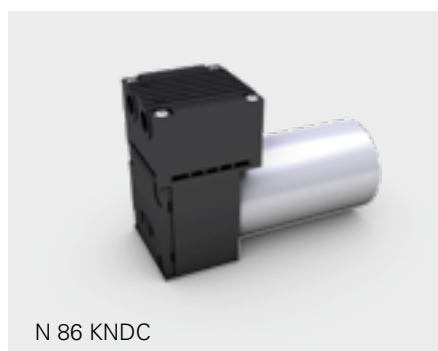
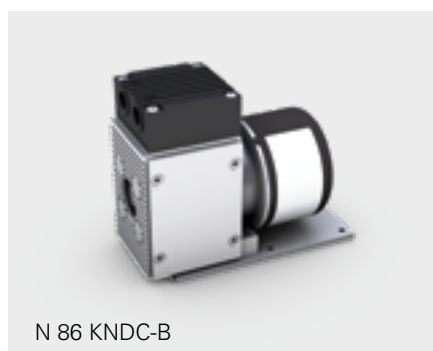


N 86 SERIES VACUUM PUMPS AND COMPRESSORS



N 86 KNDC



N 86 KNDC-B

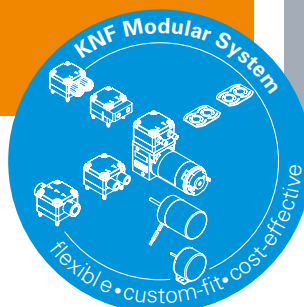
ADVANTAGES

- High chemical resistance
- Robust design
- Copes well with vapor and condensation

POSSIBLE AREAS OF USE

- Stationary emission measurement technology (CEMS)
- Mobile/portable gas measurement technology
- Instrumental analysis
- Medical technology – especially diagnostics

Please visit our website
www.knf.com
to get more information



PERFORMANCE DATA						
Series model	N 86					
Material design	KNE	KTE	KNDC	KTDC	KNDC-B	KTDC-B
Pump head	PPS					
Diaphragm	EPDM	PTFE-coated	EPDM	PTFE-coated	EPDM	PTFE-coated
Valves	FPM	FFPM	FPM	FFPM	FPM	FFPM
Flow rate at atm. pressure (l/min)	6.0	5.5	6.5	6.0		5.5
Ultimate vacuum (mbar abs.)	100	160	100	160	100	160
Max. operating pressure (bar rel./psig)	2.4/34.8	2.5/36.3	1.5/21.8		2.4/34.8	2.5/36.3
Permissible ambient temperature (°C)	+5 ... +40					
Permissible media temperature (°C)	+5 ... +40					
Weight (kg/lbs)	1.1/2.4		0.6/1.3			
ELECTRICAL DATA						
Voltage (V)	230		12 24			
Motor	Shaded pole motor		DC Motor		Brushless DC motor	
Protection class motor	IP 00		IP 50		IP 30	
Frequency (Hz)	50		-			
Power P ₁ (W)	60.0		-			
I _{max} (A)	0.65		1.30 0.65	1.50 0.75	1.10 0.65	1.00 0.60

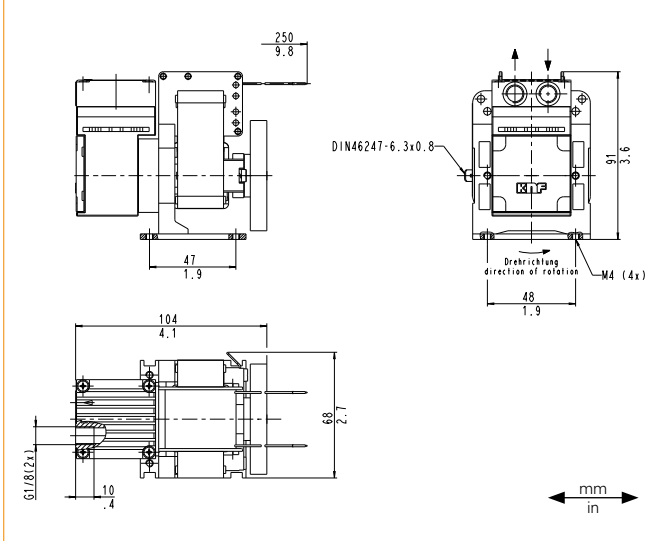
N 86 KNE | KTE

PERFORMANCE DATA

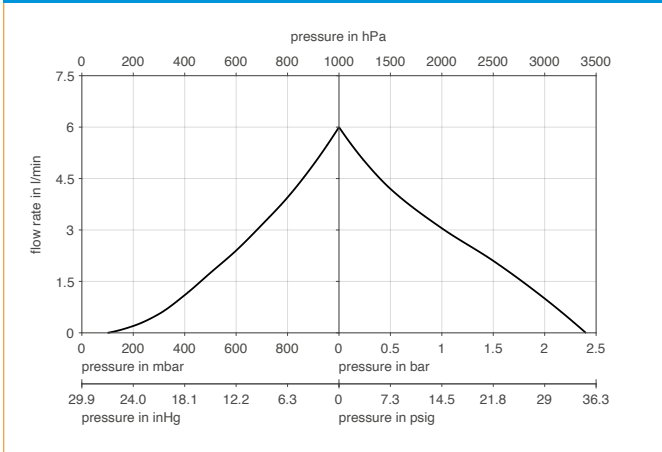
Series model	Flow rate at atm. pressure (l/min) ¹⁾	Max. operating pressure (bar rel./psig)	Ultimate vacuum (mbar abs.)
N 86 KNE	6.0	2.4/34.8	100
N 86 KTE	5.5	2.5/36.3	160

¹⁾ Liter at STP

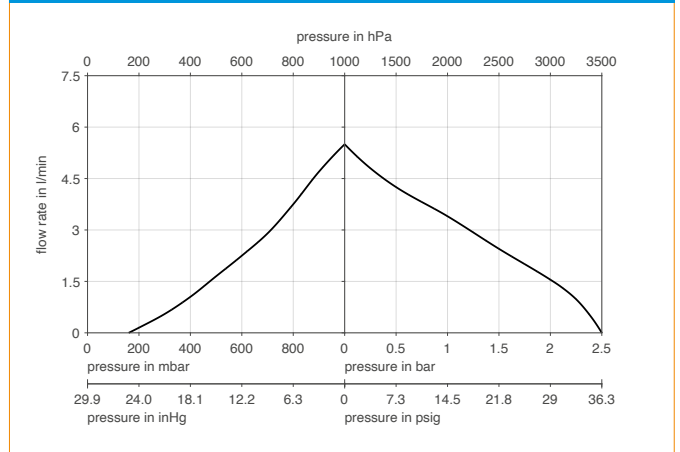
N 86 K E



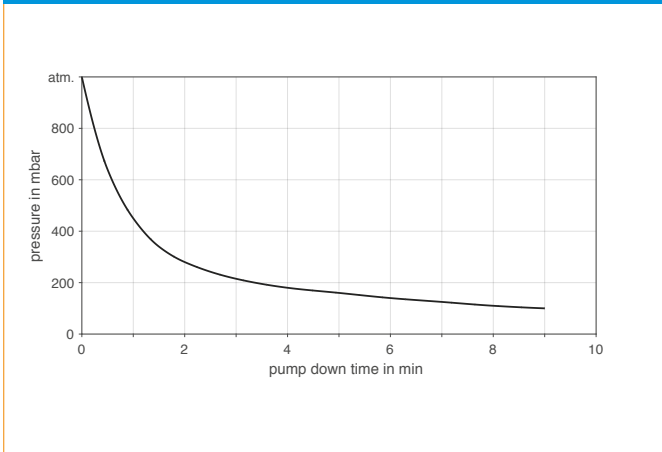
N 86 KNE



N 86 KTE



N 86 KNE | PUMP DOWN TIME FOR 5 LITER VESSEL



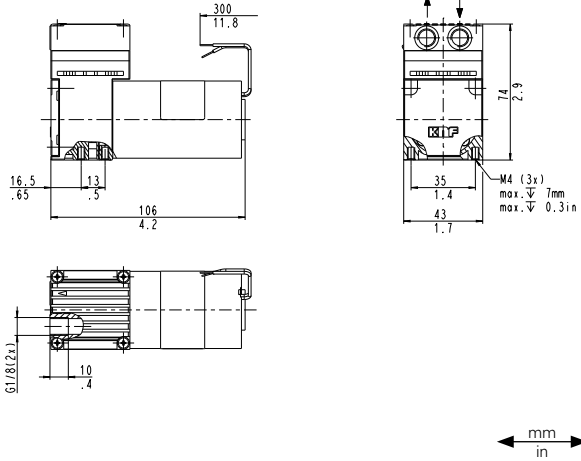
N 86 KNDC | KTDC

PERFORMANCE DATA

Series model	Flow rate at atm. pressure (l/min) ¹⁾	Max. operating pressure (bar rel./psig)	Ultimate vacuum (mbar abs.)
N 86 KNDC	6.5	1.5/21.8	100
N 86 KTDC	6.0	1.5/21.8	160

¹⁾ Liter at STP

N 86 K_DC



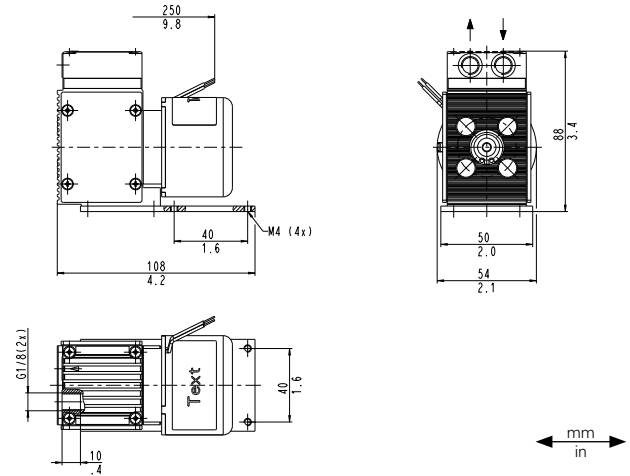
N 86 KNDC-B | KTDC-B

PERFORMANCE DATA

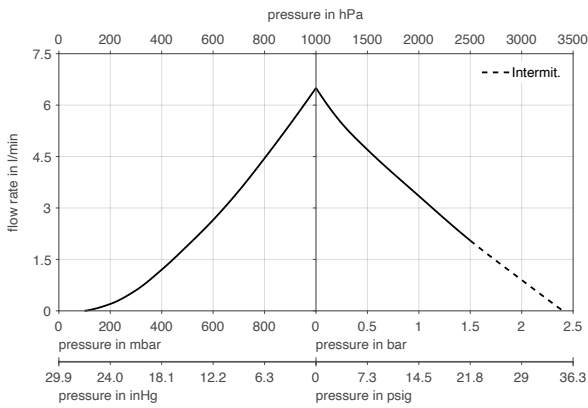
Series model	Flow rate at atm. pressure (l/min) ¹⁾	Max. operating pressure (bar rel./psig)	Ultimate vacuum (mbar abs.)
N 86 KNDC-B	6.0	2.4/34.8	100
N 86 KTDC-B	5.5	2.5/36.3	160

¹⁾ Liter at STP

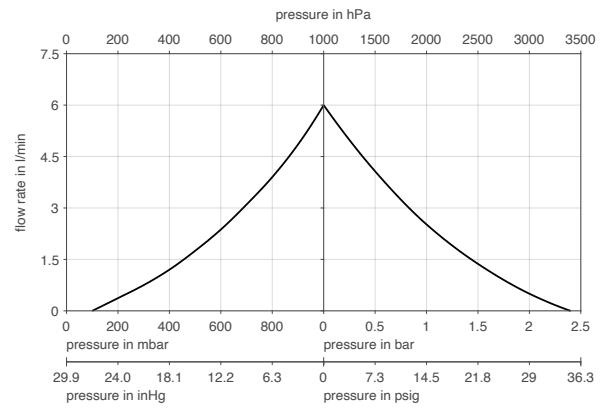
N 86 K_DC-B (2 wire)



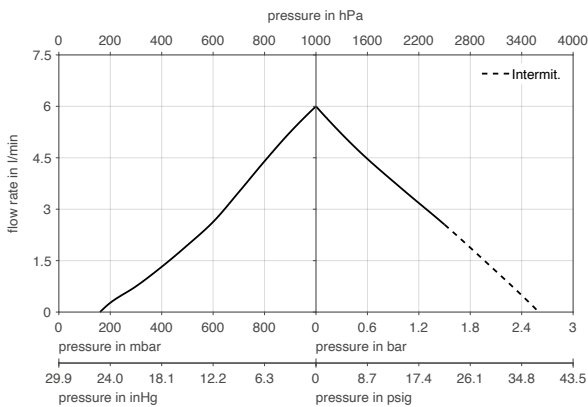
N 86 KNDC



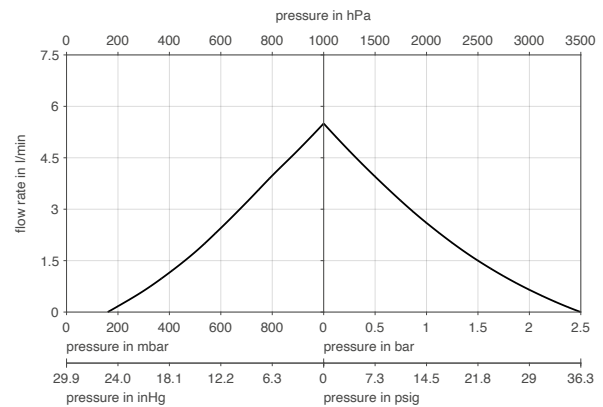
N 86 KNDC-B





N 86 KTDC



N 86 KTDC-B



ACCESSORIES			
Description	Illustration	Part No.	Details
Silencer		000345	G1/8, D16x41
Inlet filter		000346	G1/8
Hose connector		001936	G1/8 PA, ID4
Hose connector		025671	G1/8, PVDF
Rubber foot		024435	

ERSATZTEILE			
Description	Illustration	Part No.	Details
Spare parts kit N 86 KN_		043241	Spare parts kit consists of: 1x structured diaphragm 2x valve This set is required to maintain the pump.
Spare parts kit N 86 KT_		043242	Spare parts kit consists of: 1x structured diaphragm 2x valve This set is required to maintain the pump.

The performance values for the series models shown on this data sheet were determined under test conditions. The actual performance values may differ and depend in particular on the usage conditions and therefore on the specific application, on the parameters of the components involved in the user's system and on any technical modifications carried out which deviate from the standard configuration or the as delivered condition.

If individual designs have been created for specific customers on the basis of series models, other technical performance data may apply. Before operation begins, the relevant operating instructions and/or assembly or installation instructions should be read and the safety information contained in these instructions should be noted. KNF reserves the right to make changes to the product and the associated documentation without prior notice to the customer.



www.knf.com