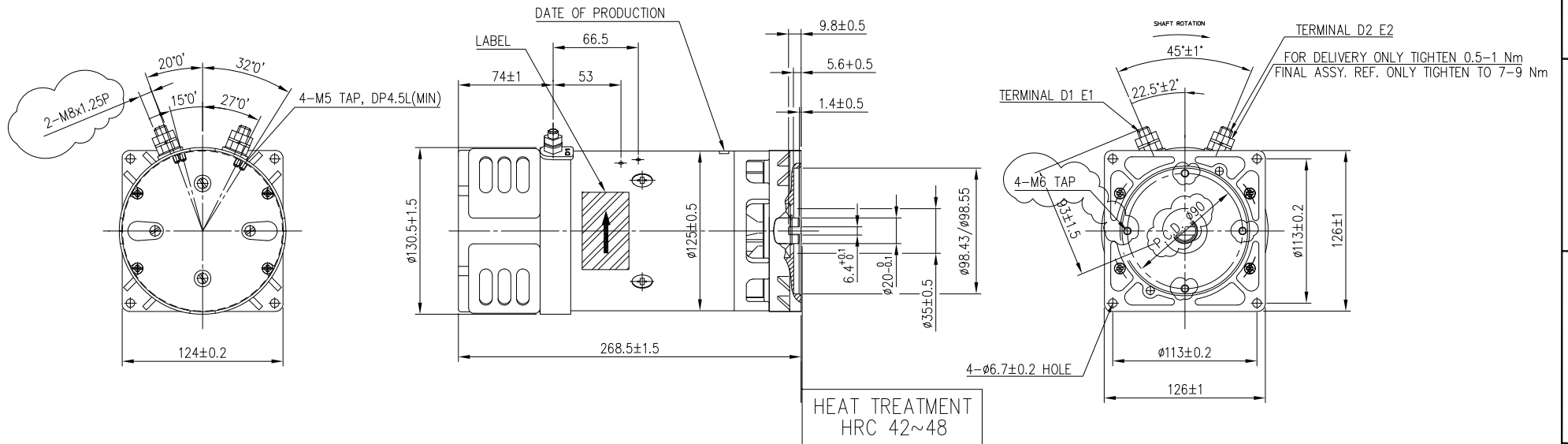


Rev.	No.	Description	Date
001	1	-	-



Designed by	Checked by	Confirmed by

No.	Description	Q'ty	Remark
Hydro-Tek® 하이드로텍(주)	Client	-	Weight(kg) Date 2013.03.21.
	Title	DC MOTOR	DS. S. Y. Kim
	Code	L230XXI	AP. W. S. Choi
Form Information for AutoCAD 2004 A3	Dwg No.	170 - 0000009A	Rev. 000